

STANDARD PORT BALL VALVE

CARBON STEEL VALVES

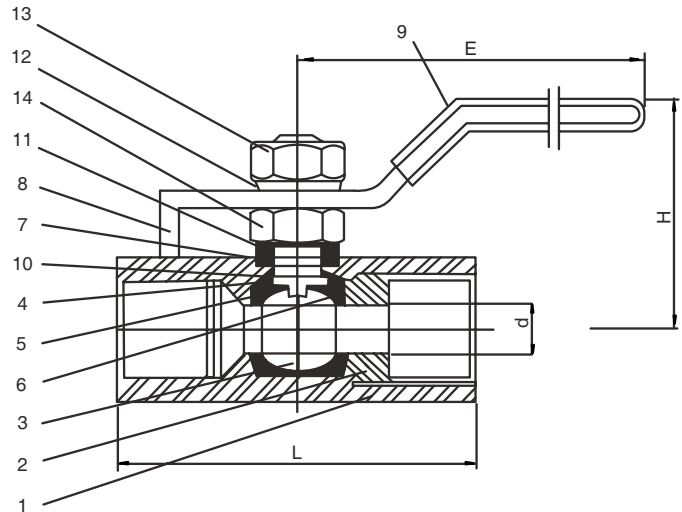
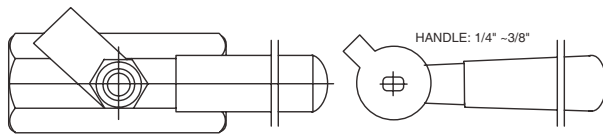
STANDARD PORT CARBON STEEL BALL VALVE

VALVES

- For chemical and industrial applications.
- Blow-out proof stem design.
- 100% air tested under water, at 100 psi, open and closed positions.

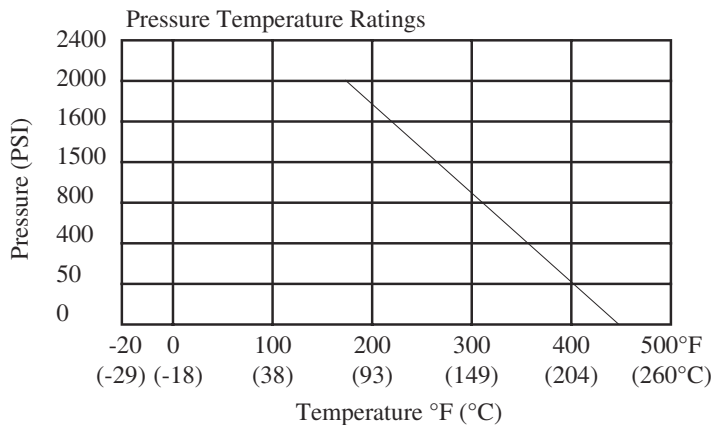
SPECIFICATIONS

- Working Pressure: 1/4" ~ 1" 2000 psi WOG,
1-1/4" ~ 2" 1500 psi WOG,
- Temperature Range: -60° to 450°F
- End types: Threaded
- 1 piece ball valve reducing bore
- Reinforced PTFE seat



2000 PSI STANDARD PORT

Part #	Size	d	H	E	L	Box	Case	List
949-121	1/4	.20	1.14	2.40	1.71	10	100	37.26
949-122	3/8	.28	1.38	3.55	1.87	10	100	37.26
949-123	1/2	.36	2.60	4.08	2.20	5	75	52.55
949-124	3/4	.49	2.72	4.21	2.58	5	60	53.66
949-125	1	.59	2.95	4.65	3.19	6	36	66.00
949-126	1-1/4	.78	3.07	5.83	3.62	4	20	100.70
949-127	1-1/2	1.02	3.39	5.83	3.78	3	15	106.58
949-128	2	1.26	3.86	5.90	4.49	3	12	186.76



Item	Parts	Material
1	Body	ASTM A108 CL. 1018 or AISI 1021 C.S.
2	Unscrewed Seat Retainer	
3	Ball	SS304
4	Stem	SS316
5	Ball Seat	RPTFE
6	Cap Seal	PTFE
7	Packing	PTFE
8	Handle	SS304
9	Handle Sleeve	Vinyl Grip
10	Thrust Washer	PTFE
11	Gland	SS304
12	Washer	SS304
13	Handle Nut	SS304
14	Stem Nut	SS304



Call Toll Free: 1-866-711-4673

WebSales@GoodyearRubberProducts.com

We Ship
World Wide