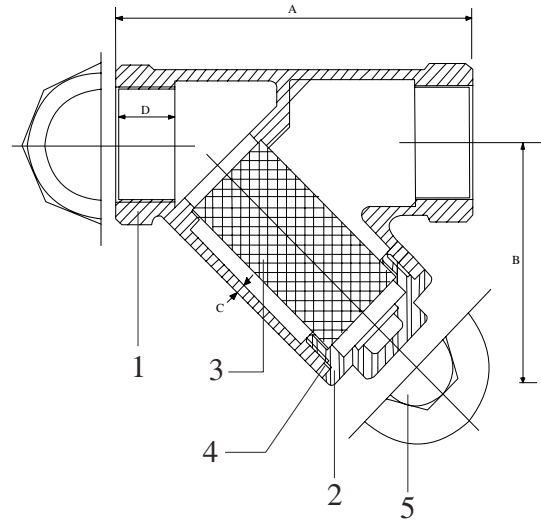


CLASS 150 BRONZE Y-PATTERN STRAINER

- Protects regulators, pumps, meters and other controls from damage due to sediment scale, metal chips or other foreign materials
- Threaded ends
- 300 psi WOG non-shock
- 150 psi SATURATED STEAM
- Screwed cap is threaded & gasketed

- Tapped drain plug opening in cap
- 304 stainless steel screen #20 mesh
- Self cleaning
- Self cleaning can be accomplished by opening the valve or plug connected to the blow-off outlet
- Hydrostatic test pressures shell 450 P.S.I.



Part#	Size	A	B	C	D	Plug Size	Box	Case	List
940-521	1/4"	2.60	1.89	.09	.41	1/4"	10	80	35.65
940-522	3/8"	2.60	1.89	.09	.41	1/4"	10	80	29.69
940-523	1/2"	3.13	2.28	.10	.39	1/4"	10	80	27.34
940-524	3/4"	3.43	2.36	.11	.55	1/4"	8	64	27.78
940-525	1"	4.09	2.83	.12	.63	3/8"	8	48	54.77
940-526	1-1/4"	4.90	3.23	.14	.79	3/8"	1	24	70.81
940-527	1-1/2"	5.59	3.74	.15	.80	1/2"	1	16	104.78
940-528	2"	6.69	4.72	.2	1.10	1/2"	1	12	180.30
940-529	2-1/2"	8.39	5.83	.21	.93	3/4"	1	6	505.24
940-530	3"	9.06	6.69	.22	1.12	3/4"	1	4	273.05

REPLACEMENT SCREENS

304 S.S. #20 Mesh

Part #	Size	List Price
940-521S	1/4	3.68
940-522S	3/8	3.68
940-523S	1/2	3.68
940-524S	3/4	2.79
940-525S	1	5.15
940-526S	1-1/4	5.95
940-527S	1-1/2	7.94
940-528S	2	15.51
940-529S	2-1/2	48.80
940-530S	3	62.18

Nomenclature & Materials

NO	Part Name	Material	Qty
1	Body	Bronze	1
2	Cap	Bronze	1
3	Screen	SS-304	1
4	Gasket	Non-Asbestos	1
5	Plug	Brass	1

VALVES

