

BRASS VALVES

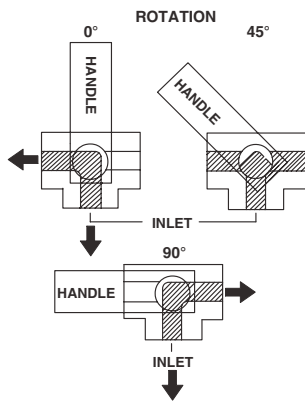
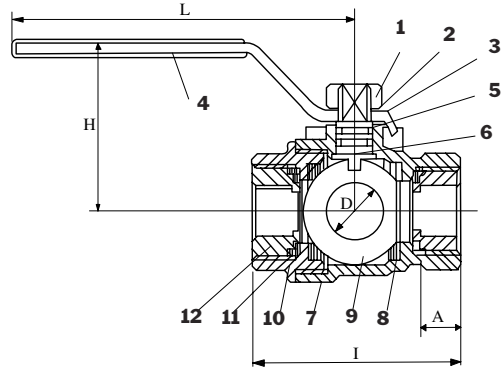
3-WAY VALVES

SIDE OUTLET 3 WAY BALL VALVE



- Forged Brass
- 200 WOG
- 125 WSP

• Side outlet



Nomenclature & Materials

NO	Part Name	Material	Qty
1	Nut	Steel	1
2	Spring Washer	Steel	1
3	Handle	Steel	1
4	Cover	PVC	1
5	O-Ring	NBR	2
6	Stem	Brass	1
7	Body	Forged Brass	1
8	Seat	Teflon	2
9	Ball Disc	Brass	1
10	End Plug	Brass	1
11	O-Ring	NBR	3
12	Socket	Brass	3

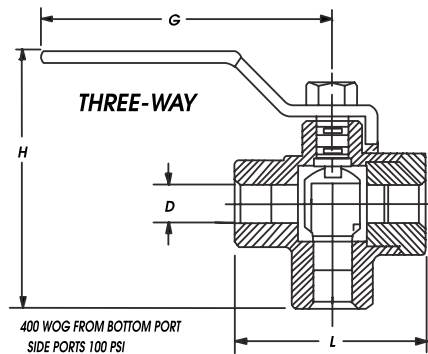
Part#	Size	I	H	D	L	A	Box	Case	List
940-464	1/4"	2.03	1.64	.51	3.35	.47	15	60	27.05
940-465	3/8"	2.03	1.64	.51	3.35	.47	15	60	39.76
940-461	1/2"	2.03	1.64	.51	3.35	.47	15	60	27.78
940-462	3/4"	2.32	2.11	.67	4.17	.51	10	40	47.47

BOTTOM OUTLET 3 WAY BALL VALVE

- Forged Brass
- Double O-Ring Seal
- Bottom Port is inlet 400 psi
- Blow out proof stem
- Side Ports are inlet 100 psi
- Made in USA



• Bottom outlet



Part#	Size	D	G	H	L	Cv	List
940-121	1/4"	.44	3.50	3.12	2.25	5.2	53.54
940-122	3/8"	.50	3.50	3.12	2.25	5.5	56.96
940-123	1/2"	.50	3.50	3.12	2.25	5.5	56.96

VALVES



Call Toll Free: 1-866-711-4673

WebSales@GoodyearRubberProducts.com

We Ship World Wide