

**FULL PORT 600WOG FORGED BRASS BALL VALVE**

Gas Approved



CSA AGA 3.88 5 PSIG Made in Italy

**ISO 9002 Manufacturer FEATURES**

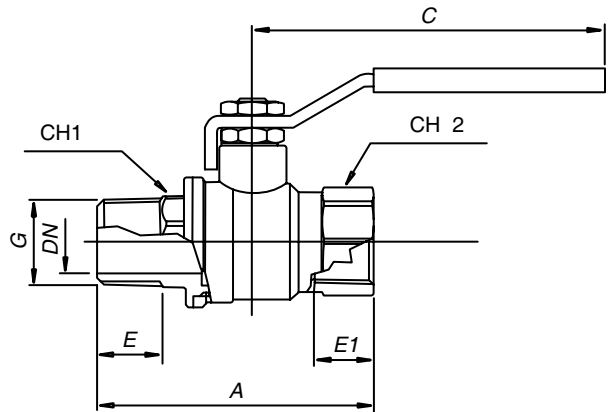
- Solid chrome plated brass ball
- Suitable for full range of liquids and gases.
- Minimal pressure drop due to large full size ports.
- Bottom loaded, pressure retaining stem.
- Pressure rated at 600psi (42 bars) WOG ( non-shock) and 150psi (10.34 bars) saturated steam. Virgin TFE stem packing seal, thrust washer and seats.
- Yellow vinyl insulator on heavy duty plated carbon steel handles.
- Fast 1/4 turn open or close operation.

- Low operating torque.
- Adjustable stem packing gland.
- Maximum operating temperature: 248°F (120°C) at 600 p.s.i
- Minimum operating temperature: -20°F (-40°C)
- KV: Pressure drop m<sup>3</sup>/h.
- Each valve individually tested.
- Forged Brass - for more strength.
- Threaded ends to ANSI B1.20.1
- Hard chromium plated solid ball
- Bottom entry, blow-out proof stem.
- Deeper threads - for better connections.

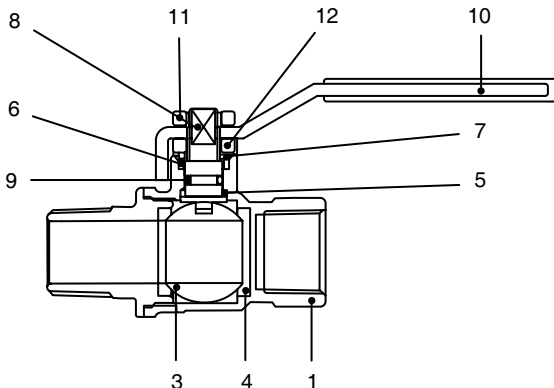
**VALVES**



**MIP x FIP**



Part#	Size	DN	A	B	C	E	E1	CH1	CH2	Box	Case	List
948-101	1/4	.31	2.28	1.49	3.35	.46	.51	.55	.74	24	240	17.17
948-102	3/8	.39	2.37	1.57	3.35	.46	.51	.71	.86	24	240	17.72
948-103	1/2	.59	2.28	1.49	3.35	.61	.59	.85	.96	20	200	20.82
948-104	3/4	.78	2.87	1.57	3.35	.66	.63	1.10	1.22	14	140	30.69
948-105	1	.98	3.42	1.93	5.20	.77	.75	1.36	1.50	6	60	47.94
948-106	1-1/4	1.26	3.94	2.36	4.72	.79	.76	1.69	1.89	4	40	74.59
948-107	1-1/2	1.57	4.25	3.00	6.34	.81	.76	2.12	2.12	2	20	123.08
948-108	2	1.97	4.96	2.95	6.34	.84	.76	2.40	2.63	2	12	180.65



POS	Components	Materials	N
1	Body	CW617N Forged Brass	1
2	End Connection	CW617N Forged Brass	1
3	Ball	CW617N CP Brass	1
4	Ball Stems	P.T.F.E.	2
5	Stem Antif. Seat	P.T.F.E.	1
6	Stem Seat	P.T.F.E.	1
7	Brass Ring	CW617N Brass	1
8	Stem	CW617N Brass	1
9	O-Ring	NBR 80	1
10	Handle	UNI EN 10025 Steel	1
11	Nut	UN 5771 Steel	1
12	Nut	CW617N Brass	1

