

FULL PORT 600WOG FORGED BRASS BALL VALVE

ISO 9002 Manufacturer FEATURES

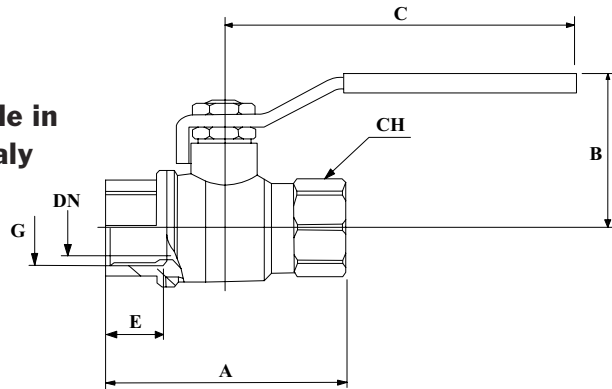
600 PSI non-shock cold water, gas, oil
- 150 PSI saturated steam

- Suitable for full range of liquids and gasses
- Minimal pressure drop due to large full size ports
- Bottom loaded, pressure retaining stem
- Pressure rated at 600psi (42 bars) WOG (non-shock) and 150psi (10.34 bars) saturated steam. Virgin TFE stem packing seal, thrust washer and seats
- Vinyl insulator on heavy duty plated carbon steel handles
- Fast 1/4 turn open or close operation
- Low operating torque
- Adjustable stem packing gland
- Maximum operating temperature: 248°F (120° C)
- Minimum operating temperature: -20°F (-40°C)
- KV: Pressure drop m³/h
- Each valve individually tested
- Forged Brass - for more strength
- Hard chromium plated solid ball
- Bottom entry, blow-out proof stem

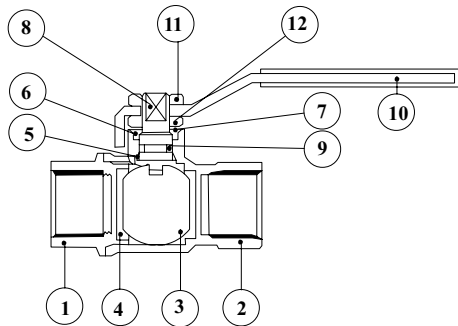


Sweat x Sweat

Made in Italy



Part #	Size	Dimension Inches									
	G	DN	A	B	C	E	CH	KV	Box	Case	Net Price
943-512	1/2" SWT	.59	2.28	1.49	3.27	.60	.94	.64	14	140	14.10
943-513	3/4" SWT	.78	2.44	1.57	3.27	.64	1.22	1.16	14	120	20.81
943-514	1" SWT	.98	2.95	1.93	3.74	.75	1.50	1.69	6	60	32.25
943-515	1-1/4" SWT	1.26	3.46	2.36	4.61	.84	1.89	3.50	4	40	50.34
943-516	1-1/2" SWT	1.57	3.94	3.00	4.61	.84	2.12	9.05	2	20	82.86
943-517	2" SWT	1.97	4.44	2.95	4.61	1.01	2.63	1.04	1	10	121.38



POS	Components	Materials	N
1	Body	Forged Brass	1
2	End Connection	Forged Brass	1
3	Ball	CP Brass	1
4	Ball Seats	P.T.F.E	2
5	Stem Antif. Seat	P.T.F.E	1
6	Stem Seat	P.T.F.E	1
7	Brass Ring	Brass	1
8	Stem	Brass	1
9	O-Ring	NBR 80	1
10	Handle	Steel	1
11	Nut	Steel	1
12	Nut	Brass	1

VALVES

