

FULL PORT 600WOG FORGED BRASS BALL VALVE

1/2" - 2" Sizes Gas Approved



ISO 9002 Manufacturer FEATURES

600 PSI non-shock cold water, gas, oil
- 150 PSI saturated steam

- Suitable for full range of liquids and gases
- Minimal pressure drop due to large full size ports
- Bottom loaded, pressure retaining stem
- Pressure rated at 600psi (42 bars) WOG (non-shock) and 150 WSP (10.34 bars) saturated steam. Virgin TFE stem packing seal, thrust washer and seats
- Yellow vinyl insulator on heavy duty plated carbon steel handles
- Fast 1/4 turn open or close operation
- Low operating torque

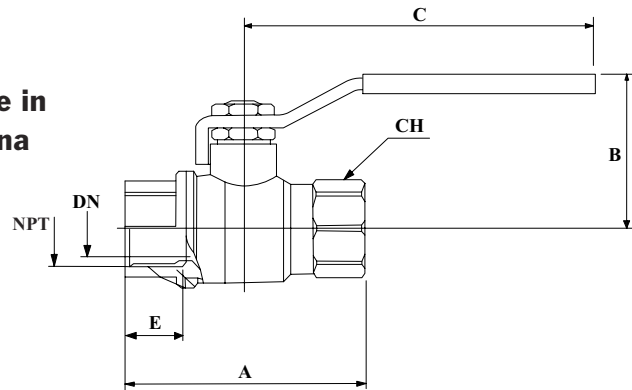
- Adjustable stem packing gland
- Maximum operating temperature: 302°F (150° C)
- Minimum operating temperature: -22°F (-30°C)
- Each valve individually tested
- Forged Brass - for more strength
- Threaded ends to ANSI B1.20.1
- Hard chromium plated solid ball
- Bottom entry, blow-out proof stem
- Deeper threads - for better connections

VALVES



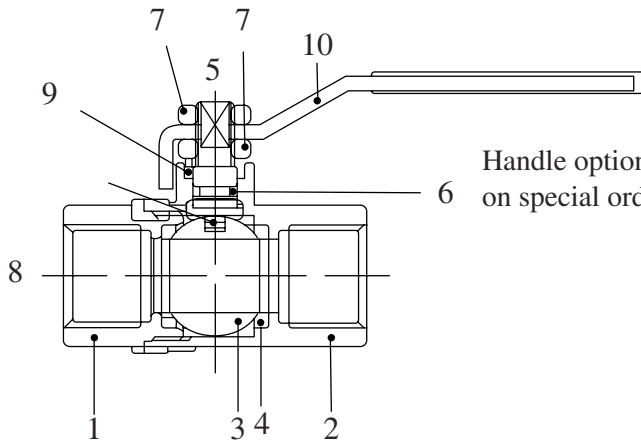
Made in China

Minimum order is Box Quantity



Part#	Size NPT	Dimension Inches						Box	Case	List
		DN	A	B	C	E	CH			
943-600	1/4"	0.39	1.75	1.75	3.54	0.46	0.79	18	180	5.75
943-601	3/8"	0.39	1.75	1.75	3.54	0.46	0.79	18	180	5.75
943-602	1/2"	0.59	2.05	1.91	3.74	0.49	0.96	15	120	8.63
943-603	3/4"	0.78	2.32	2.03	4.41	0.53	1.20	10	90	11.50
943-604	1"	0.98	2.73	2.44	4.41	0.61	1.48	6	60	18.40
943-605	1-1/4"	1.26	3.13	2.56	4.98	0.65	1.63	6	36	24.73
943-606	1-1/2"	1.57	3.54	3.01	5.79	0.67	2.10	4	24	46.46
943-607	2"	1.97	4.09	3.37	6.10	0.75	2.62	2	16	61.87

* Cast Brass on sizes 2-1/2", 3", 4"



Handle options are available on special order basis only.

POS	Components	Materials	N
1	Body	Forged Brass	1
2	End Connection	Forged Brass	1
3	Ball	CP Brass	1
4	Ball Seat	P.T.F.E.	2
5	Stem	Brass	1
6	Gland	Brass	1
7	Nut	Steel	1
8	Spring Inseat	Steel	1
9	Stem Seal	P.T.F.E.	1
10	Handle	Steel	1

