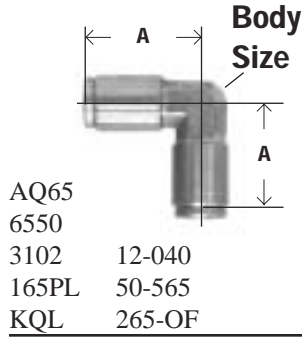


BRASS FITTINGS

BRASS PUSH - IN FITTINGS

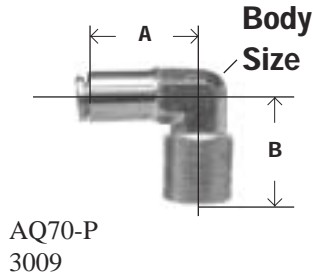
BRASS

UNION ELBOW



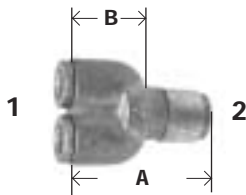
Part #	Tube O.D.	A	Body Size	Approx. Wt. Lbs.	List Price
20-150	1/8"	0.65	0.31	0.02	9.01
20-151	5/32"	0.67	0.31	0.04	9.01
20-152	1/4"	0.87	0.37	0.06	7.88
20-155	5/16"	0.91	0.47	0.08	17.49
20-153	3/8"	0.97	0.50	0.09	10.32
20-154	1/2"	1.15	0.62	0.18	19.04

FEMALE ELBOW



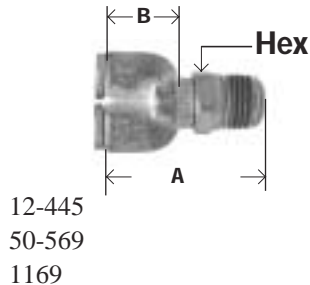
Part #	Tube O.D. x Female NPTF	A	B	Body Size	Approx. Wt. Lbs.	List Price
20-094	5/32" x 1/8"	0.68	0.82	0.37	0.02	7.69
20-089	1/4" x 1/8"	0.91	0.75	0.37	0.06	8.24
20-090	1/4" x 1/4"	1.03	1.03	0.50	0.11	9.87
20-091	3/8" x 1/4"	0.98	0.95	0.50	0.16	11.03

UNION "Y"



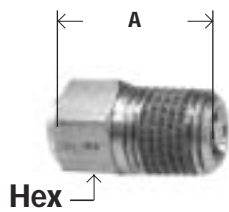
Part #	Tube O.D. x 1 x 2	A	B	Approx. Wt. Lbs.	List Price
20-552	1/4" x 1/8"	1.61	1.06	0.12	23.85
20-553	1/4" x 1/4"	1.81	1.06	0.14	21.45

MALE "Y"



Part #	Tube O.D. x Male NPTF	A	B	Hex	Approx. Wt. Lbs.	List Price
20-557	1/4" x 1/4"	1.90	1.06	0.56	0.20	25.25

QUICK DISCONNECT When tube is disconnected, flow shuts off automatically.



Part #	Tube O.D. x Male NPTF	A	Hex	Approx. Wt. Lbs.	List Price
20-133	1/4" x 1/8"	0.92	0.43	0.10	12.90
20-134	1/4" x 1/4"	0.92	0.56	0.12	13.36

Hex
AQ92-P
6500
169PLNS

