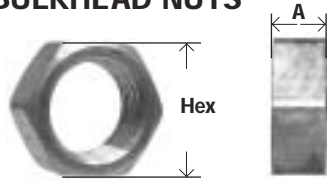


## COMPRESSION

## BRASS FITTINGS

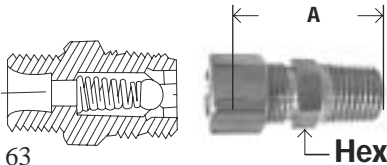
## BULKHEAD NUTS



20102

Part #	Size	A	Hex	Approx. Wt. Lbs.	List Price
18-097	1/4"	0.25	0.56	0.02	2.06
18-099	3/8"	0.25	0.68	0.04	2.73
18-100	1/2"	0.38	0.94	0.06	3.82

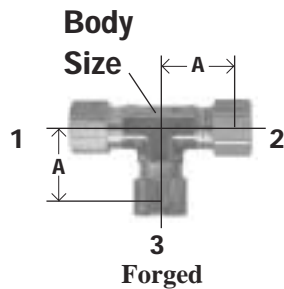
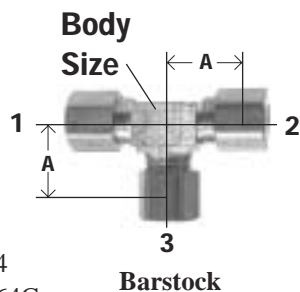
## BALL CHECK VALVE - Min. Working pressure 3 psi.

63  
263  
63A

Part #	Tube OD x Male NPTF	A	Hex	Approx. Wt. Lbs.	List Price
18-092	1/8" x 1/8"	0.78	0.44	0.04	8.69
18-094	1/4" x 1/8"	0.88	0.44	0.04	6.35
18-096	3/8" x 1/4"	1.16	0.56	0.08	7.75

## TEE

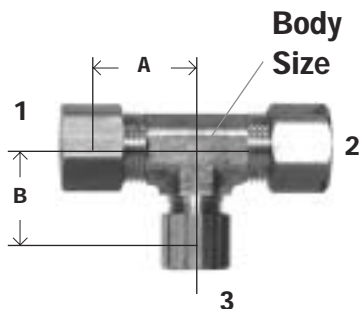
SAE# 060401

64  
264C

Part #	Size	A	Body Size	Approx. Wt. Lbs.	List Price
18-101	1/8"	0.61	0.37	0.04	8.63
18-101B*	1/8"	0.62	0.33	0.04	4.34
18-102	3/16"	0.59	0.36	0.08	4.60
18-102B*	3/16"	0.60	0.38	0.08	5.81
18-103	1/4"	0.63	0.36	0.10	3.72
18-103B*	1/4"	0.62	0.49	0.10	4.04
18-104	5/16"	0.72	0.50	0.13	5.67
18-104B*	5/16"	0.60	0.50	0.14	7.72
18-105	3/8"	0.75	0.50	0.16	4.83
18-105B*	3/8"	0.73	0.59	0.16	3.75
18-106	1/2"	0.94	0.59	0.22	9.03
18-106B*	1/2"	0.94	0.69	0.24	10.22
18-107	5/8"	1.06	0.69	0.28	11.54
18-108	3/4"	1.22	0.88	0.32	29.77
18-109	7/8"	1.25	0.94	0.34	26.15

\* Barstock

## FORGED REDUCING TEE



64-R

Part #	Size	A	B	Body Size	Approx. Wt. Lbs.	List Price
18-114	1/4" x 1/4" x 1/8"	0.62	0.59	0.38	0.09	7.06
18-110	1/4" x 1/4" x 3/8"	0.69	0.75	0.50	0.14	7.18
18-111	3/8" x 1/4" x 1/4"	0.75	0.69	0.50	0.12	8.60
18-115	3/8" x 3/8" x 1/4"	0.75	0.69	0.50	0.14	4.88
18-116	1/2" x 1/2" x 1/4"	0.94	0.81	0.59	0.16	11.66
18-117	1/2" x 1/2" x 3/8"	0.94	0.81	0.59	0.24	12.29
18-118	5/8" x 5/8" x 3/8"	1.06	0.94	0.69	0.28	16.07
18-119	5/8" x 5/8" x 1/2"	1.06	1.06	0.69	0.30	16.68

MIDLAND  
METAL