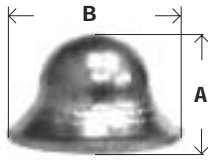


**COPPER BONNET**

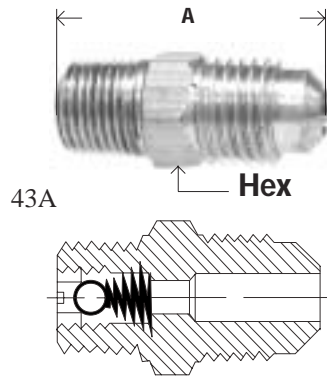
SAE# 010114



B1 156  
3GF FB  
64C 695  
57 464

| Part # | Size  | A    | B    | Approx. Wt. Lbs. | List Price |
|--------|-------|------|------|------------------|------------|
| 10-094 | 3/16" | 0.16 | 0.31 | 0.01             | 1.84       |
| 10-095 | 1/4"  | 0.22 | 0.36 | 0.01             | 1.40       |
| 10-097 | 3/8"  | 0.34 | 0.55 | 0.01             | 0.67       |
| 10-098 | 1/2"  | 0.41 | 0.66 | 0.01             | 2.33       |
| 10-099 | 5/8"  | 0.44 | 0.77 | 0.01             | 2.18       |
| 10-100 | 3/4"  | 0.56 | 0.95 | 0.01             | 3.34       |

**MALE BALL CHECK CONNECTOR**



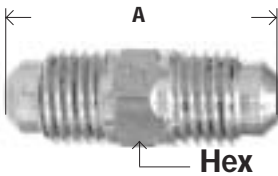
43A

| Part # | Male NPTF x Male UNF | A    | Hex  | Approx. Wt. Lbs. | List Price |
|--------|----------------------|------|------|------------------|------------|
| 10-131 | 1/4" x 1/8"          | 1.06 | 0.43 | 0.04             | 9.85       |
| 10-133 | 3/8" x 1/4"          | 1.31 | 0.62 | 0.08             | 13.67      |

Note: Ball & Spring position may be reversed to change flow/check position. Min working pressure 3 PSI

**UNION**

SAE# 010101



42F  
U2

| Part # | Thread Size UNF | A    | Hex  | Approx. Wt. Lbs. | List Price |
|--------|-----------------|------|------|------------------|------------|
| 10-104 | 1/8"            | 0.91 | 0.31 | 0.02             | 3.89       |
| 10-105 | 3/16"           | 1.06 | 0.37 | 0.02             | 1.98       |
| 10-106 | 1/4"            | 1.19 | 0.43 | 0.03             | 1.53       |
| 10-107 | 5/16"           | 1.34 | 0.50 | 0.05             | 2.27       |
| 10-108 | 3/8"            | 1.50 | 0.62 | 0.09             | 1.84       |
| 10-109 | 1/2"            | 1.81 | 0.75 | 0.14             | 2.78       |
| 10-110 | 5/8"            | 2.12 | 0.87 | 0.20             | 4.44       |
| 10-111 | 3/4"            | 2.44 | 1.06 | 0.35             | 12.85      |
| 10-112 | 7/8"            | 2.72 | 1.25 | 0.52             | 21.91      |

Dimension data can change without notice. Please call us when dimensions are critical.

