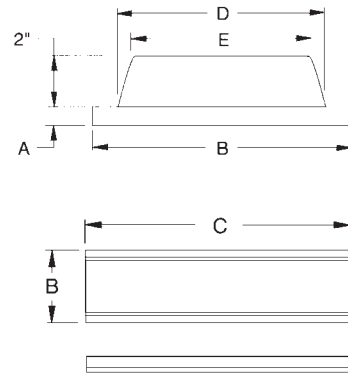


# TOW KNEE PUSHER PLATES

## SINGLE TOW – KNEES



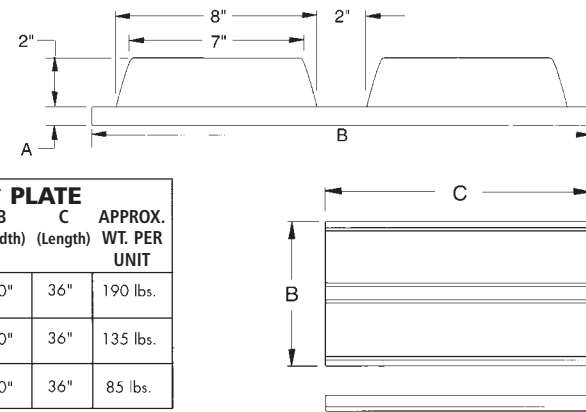
PART NUMBER	STEEL * PLATE			RUBBER		APPROX. WT. PER UNIT
	A (Thickness)	B (Width)	C (Length)	D (Base Width)	E (Surface Width)	
DB - 1408	3/4"	10"	36"	8"	7"	90 lbs.
DB - 1409	1/2"	10"	36"	8"	7"	65 lbs.
DB - 1410	1/4"	10"	36"	8"	7"	50 lbs.
DB - 1508	3/4"	13-1/2"	36"	11-1/4"	10-1/4"	130 lbs.
DB - 1509	1/2"	13-1/2"	36"	11-1/4"	10-1/4"	90 lbs.
DB - 1510	1/4"	13-1/2"	36"	11-1/4"	10-1/4"	70 lbs.



## DOUBLE TOW – KNEES



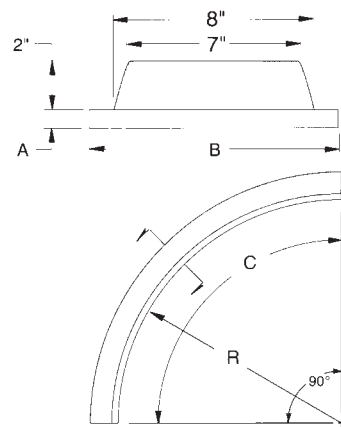
PART NUMBER	STEEL * PLATE			APPROX. WT. PER UNIT
	A (Thickness)	B (Width)	C (Length)	
DB - 1608	3/4"	20"	36"	190 lbs.
DB - 1609	1/2"	20"	36"	135 lbs.
DB - 1610	1/4"	20"	36"	85 lbs.



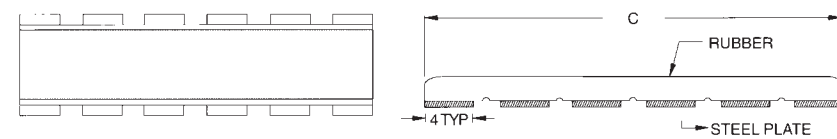
## PRECURVED TOW – KNEES



PART NUMBER	STEEL * PLATE				APPROX. WT. PER UNIT
	R Radius	A (Thickness)	B (Width)	C (Length)	
DB - 1708	18"	3/4"	10"	28-1/4"	80 lbs.
DB - 1709	18-1/4"	1/2"	10"	28-5/8"	60 lbs.
DB - 1710	18-1/2"	1/4"	10"	29-1/16"	40 lbs.



## SEGMENTED TOW – KNEES



PART NUMBER	STEEL * PLATE				APPROX. WT. PER
	R Radius	A (Thick-ness)	B (Width)	C (Length)	
				8"	
				7"	



Call Toll Free: **1-866-711-4673**  
 WebSales@GoodyearRubberProducts.com

**We Ship World Wide**