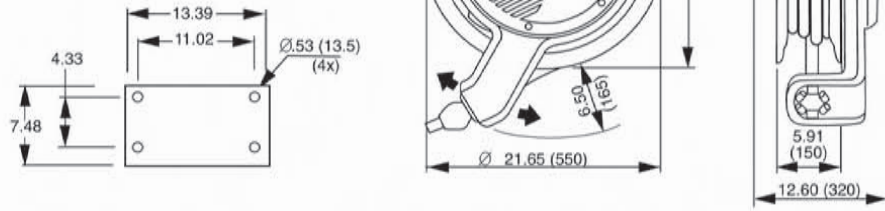
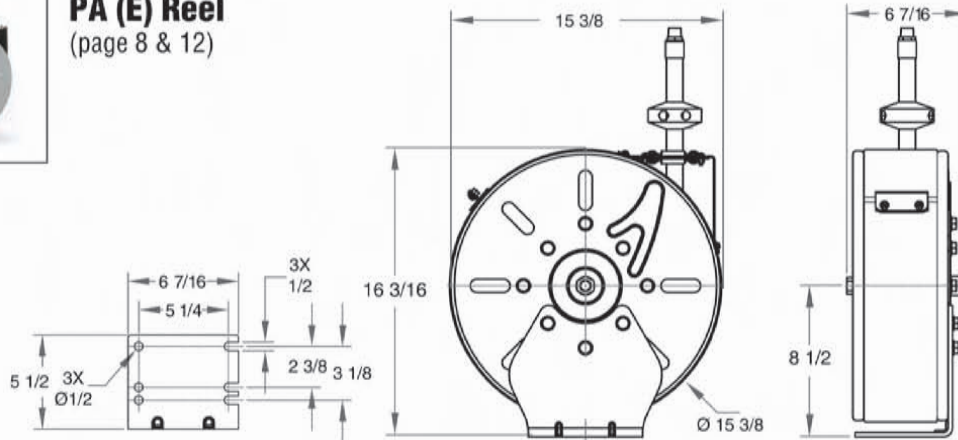




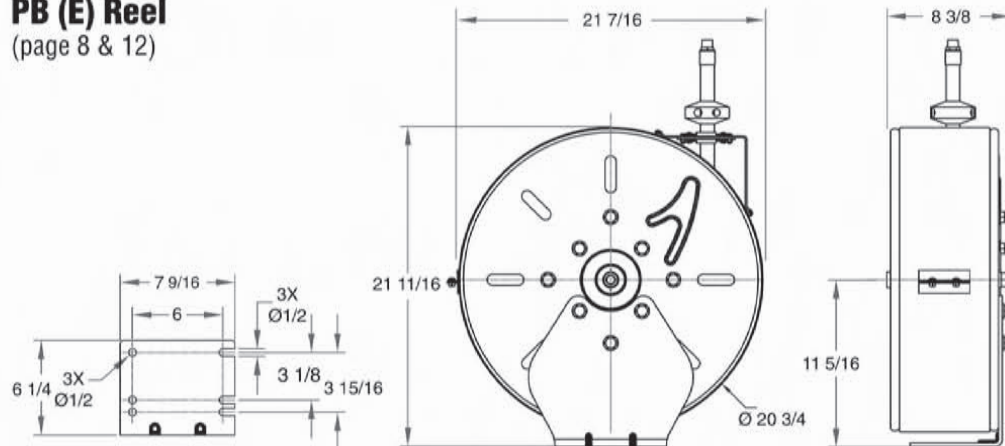
8800 Reel
(page 7)



PA (E) Reel
(page 8 & 12)



PB (E) Reel
(page 8 & 12)



PL Reel
(page 9)

