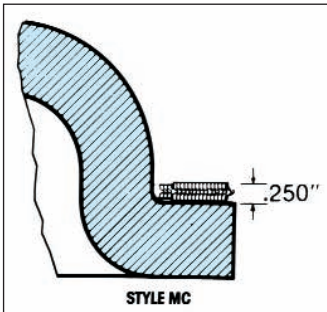
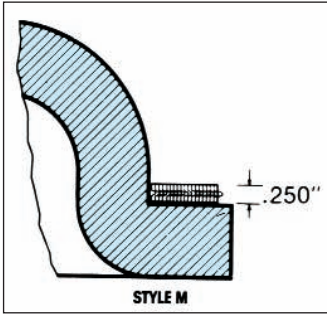
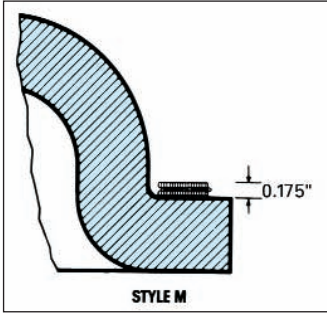


## STYLES M & MC FOR MANHOLE COVER ASSEMBLIES

TABLE  
24



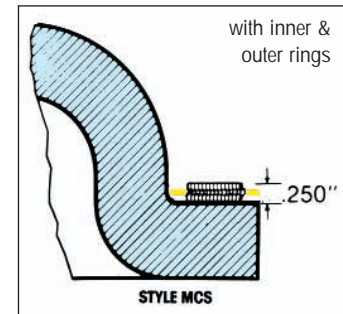
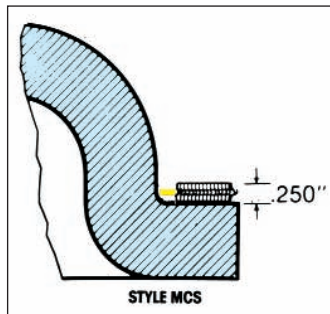
STYLE	NOMINAL I.D. DIMENSIONS (inches)	THICKNESS (inches)	FLANGE WIDTH (inches)
M-Oval	10 x 15	.250	<sup>15</sup> / <sub>16</sub>
M-Oval	10 x 16	.250	<sup>15</sup> / <sub>16</sub>
M-Oval	11 x 15	.250	<sup>15</sup> / <sub>16</sub>
MC-Oval	11 x 15	.250	<sup>13</sup> / <sub>16</sub>
M-Oval	11 x 15	.175	<sup>3</sup> / <sub>4</sub>
M-Oval	11 x 15	.175	<sup>15</sup> / <sub>16</sub>
M-Oval	11 x 15	.175	<sup>1</sup> / <sub>2</sub>
M-Oval	11 x 15	.175	1 <sup>1</sup> / <sub>4</sub>
M-Oval	11 x 15	.250	1 <sup>1</sup> / <sub>4</sub>
M-Obround	11 <sup>1</sup> / <sub>16</sub> x 14 <sup>7</sup> / <sub>8</sub>	.250	<sup>15</sup> / <sub>16</sub>
M-Obround	11 <sup>1</sup> / <sub>16</sub> x 15 <sup>1</sup> / <sub>16</sub>	.250	<sup>15</sup> / <sub>16</sub>
M-Oval	12 x 16	.250	<sup>15</sup> / <sub>16</sub>
MC-Oval	12 x 16	.250	<sup>13</sup> / <sub>16</sub>
MOval	12 x 16	.175	<sup>1</sup> / <sub>2</sub>
M-Oval	12 x 16	.175	<sup>3</sup> / <sub>4</sub>
M-Oval	12 x 16	.175	<sup>15</sup> / <sub>16</sub>
M-Oval	12 x 16	.175	1 <sup>1</sup> / <sub>4</sub>
M-Oval	12 x 16	.250	1 <sup>1</sup> / <sub>4</sub>
M-Obround	12 x 16	.250	<sup>15</sup> / <sub>16</sub>
M-Obround	12 x 16	.250	1 <sup>1</sup> / <sub>4</sub>
MC-Oval	12 <sup>7</sup> / <sub>8</sub> x 16 <sup>7</sup> / <sub>8</sub>	.250	<sup>13</sup> / <sub>16</sub>
M-Obround	14 x 16	.175	<sup>3</sup> / <sub>4</sub>
M-Round	14	.175	<sup>3</sup> / <sub>4</sub>
M-Round	16 <sup>1</sup> / <sub>16</sub>	.175	<sup>3</sup> / <sub>4</sub>

NOTE: When ordering gaskets specify operating pressure and temperature and type of steel desired.

## FLEXITALLIC STYLE MCS SPIRAL WOUND GASKETS

In keeping with our tradition of taking a leadership role in the gasket industry we are pleased to introduce the Flexitallic style MCS spiral wound gasket for use on boiler manhole cover assemblies. The style MCS gasket is an exclusive Flexitallic design, consisting of a Flexitallic spiral wound gasket with an integral solid metal inner and/or outer ring. The spiral wound sealing element provides resilience, strength, blowout resistance and superior sealability. The solid metal rings prevent over-compression of the gasket, which is especially important on high pressure boilers. In addition, the rings provide stability and facilitate proper positioning of the gasket on the cover which prevents pinching, shouldering, and other gasket damage resulting from misalignment, irregular plate contours and fillets.

Flexitallic style MCS spiral wound gaskets are available in a wide range of materials for standard, as well as special design manhole cover assemblies, in pressure classes of 0-499 psi, 0-999 psi, and 1000 psi and higher. For additional information on Flexitallic style MCS spiral wound gaskets, contact the Flexitallic plant nearest you.



THE ANSWER IS ALWAYS

*Flexitallic*

**GOODYEAR**  
RUBBER PRODUCTS INC.

Call Toll Free: **1-866-711-4673**

WebSales@GoodyearRubberProducts.com

**We Ship  
World Wide**