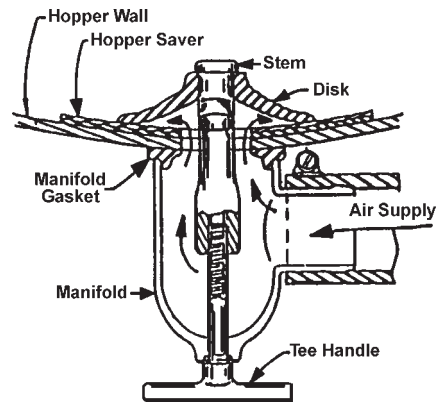


# Disk Fluidizer

























Works effectively to provide aeration, vibration and directional air flow required for rapid unloading of dry bulk trailers and containers.

## Product Features

- Seals completely to the hopper or wear plate to *stop the back flow of product into aeration lines* - even when flood loading
- Designed to provide the *optimum amount of air volume for efficient pneumatic unloading* of your bulk trailer, which allows more airflow, less back pressure and higher unloading rates
- Durable, food grade silicone resists hardening, cracking or tearing. Robust design does not have snap retention legs that can break off or flimsy disks that crack and wear prematurely.
- Material is either a clear-view engineered plastic or an ultra tough grey nylon. Fluidizer component parts are manufactured from F.D.A. approved materials and will withstand operating temperatures up to **350°F**.
- Fluidizer components can be used as *direct replacements* for Sure Seal, Fruehauf, Heil or Polar aerators.



## Trailer Components

Part #	Description	Part #	Description
	<b>4124</b> Blue silicone disk, foodgrade		<b>4121</b> Manifold, 1-port grey
	<b>4134</b> White silicone disk, foodgrade		<b>4122</b> Manifold, 2-port grey
	<b>4125</b> Grey stem, brass insert		<b>4123</b> Manifold, 3-port grey
	<b>4135</b> Natural stem, stainless insert		<b>4621</b> Manifold, 1-port clear
	<b>4155</b> Aluminum stem		<b>4622</b> Manifold, 2-port clear
	<b>4157</b> Carbon steel stem		<b>4623</b> Manifold, 3-port clear
	<b>4126B</b> Hopper saver, 1½" opening, white silicone backing		<b>4129</b> Tee handle assembly, stainless
	<b>4127</b> Blue silicone manifold gasket, food grade		<b>4130</b> Raised tee handle assembly
	<b>4137</b> White silicone manifold gasket, food grade		<b>4139</b> Hex bolt assembly, stainless
	<b>5050</b> 20" stainless steel fluidizer plate 16" ID (includes 3 disks)		<b>4149</b> Internal hex bolt assembly, stainless
	<b>5052</b> 20" carbon steel fluidizer plate 16" ID (includes 3 disks)		<b>4159</b> Bolt assembly, T.I.R., stainless
	<b>5012</b> Neoprene gasket 20" OD		<b>4111</b> Hopper plug with gasket, 1-3/8" hole
			<b>4167</b> Hopper plug with gasket, 1-1/2" hole

## Commonly Used Assemblies

Part #	Description
<b>111111</b>	1-port assembly, blue disk, grey stem hopper saver, blue gasket, 1-port grey manifold, tee handle
<b>111131</b>	3-port assembly, blue disk, grey stem hopper saver, blue gasket, 3-port grey manifold, tee handle

These are standard assemblies for most non-food grade trailers. It has a hopper saver which is used in aluminum trailers that haul abrasive products like cement and sand.

<b>111141</b>	1-port assembly, blue disk, grey stem hopper saver, blue gasket, 1-port clear manifold, tee handle
<b>111161</b>	3-port assembly, blue disk, grey stem hopper saver, blue gasket, 3-port clear manifold, tee handle

These are standard assemblies being used in Heil trailers.

<b>113111</b>	1-port assembly, blue disk, grey stem, blue gasket, 1-port grey manifold, tee handle
<b>113131</b>	3-port assembly, blue disk, grey stem, blue gasket, 3-port grey manifold, tee handle

These are typical assemblies used in steel trailers. They do not include the hopper saver.