

Butterfly Valves

Housing: Aluminum

Discs: Type 316 stainless

Body Screws: Cadmium plated steel

Stem Packing: Buna-N

Stem Bushings: Thermal plastic polymer, top and bottom

Resilient Seat: Nitrile

Handle: High strength 713 alloy aluminum with retrogressive rearing process - stronger than industry standard cast iron handles. Stainless steel spring and locking lever pin.

Throttling Plate: Five position, high strength aluminum alloy

Stainless Steel

- 2 piece aluminum body
- One piece 316 stainless steel disc and stem
- Nitrile, FDA approved white seat



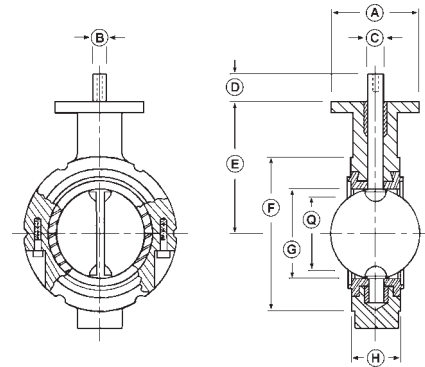
Complete Valve with 316 SS Disc		316 Stainless Steel Replacement Discs		White Replacement Nitrile Seats	
Size	Part Number	Size	Part Number	Size	Part Number
3"	3-390-828501	3"	3-390-209F	3"	3-400-422501
4"	4-390-828U501	4"	4-390-209U	4"	4-400-422501
5"	5-390-828U501	5"	5-390-209U	5"	5-400-422501
6"	* 6-390-828U501	6"	6-390-209U	6"	6-390-393501

Order handles separately, see below.

* For 6" 390 series valve, use special handle 400-206-65, see below.

Dimensions and Weights

Size	Dimensions									Weight in Lbs.
	A	B	C	D	E	F	G	H	Q	
2"	4.000	.375	.563	1.250	3.938	4.125	2.125	1.625	1.688	3
3"	4.000	.375	.563	1.250	4.875	5.375	3.125	1.750	2.875	4
4"	4.000	.438	.625	1.250	6.000	6.875	4.125	2.000	3.875	7
5"	4.000	.438	.625	1.250	6.000	7.625	5.188	2.125	5.000	9
6"	4.000	.438	.625	1.250	6.500	8.750	6.125	2.125	6.000	9



Notes:

- **Q** dimension is the minimum allowable inside diameter of the pipe or mating flange.

Butterfly Valve Accessories

- Includes handle plate kit and handle/lever assembly.

Aluminum handle kit
5 position plate

Size	Part Number
2" and 3"	206-23-5
4" thru 6"	206-46-5
6" - 390	* 400-206-65

* Use on 6" 390 series valves

Plated iron handle kit
10 position plate

Size	Part Number
2" and 3"	237-23-10
4" thru 6"	237-46-10
6" - 390	* 400-237-610

17-4 stainless stems

Size	Part Number
2"	2-400-422240
3"	3-400-422240
4"	4-400-422240
5"	5-400-422240
6"	6-400-422240

Bushing and packing kits

Size	Part Number
2" and 3"	2-3-400-99-BPKIT
4" thru 6"	4-6-400-99-BPKIT
6"	* 6-99-400BPKIT

316 stainless screw sets

Size	Part Number
2" and 3"	2-3-213
4" thru 6"	4-5-6-213

