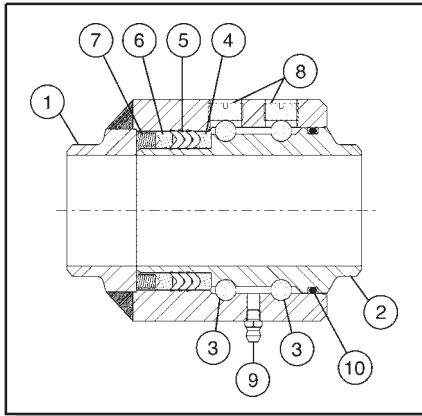


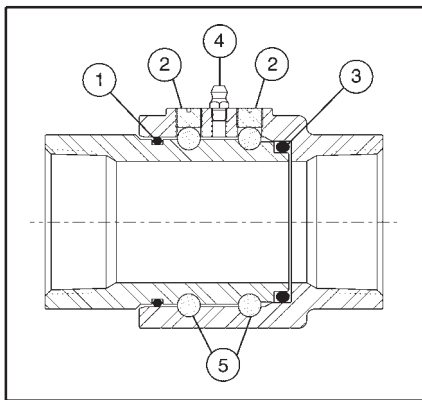
Swivel Joints

V-ring Type



- 1) body
- 2) sleeve
- 3) ball bearings
- 4) seal retainer
- 5) V-ring (pressure) seal
- 6) spring retainer
- 7) spring
- 8) ball retainer screw
- 9) grease fitting
- 10) O-ring (dust) seal

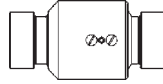
O-ring Type



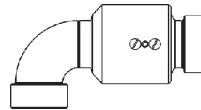
- 1) O-ring (dust) seal
- 2) ball retainer screw
- 3) O-ring (pressure) seal
- 4) grease fitting
- 5) ball bearings

single plane

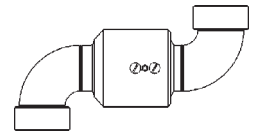
Style 20



Style 30

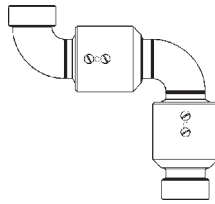


Style 40

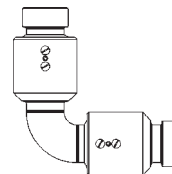


double plane

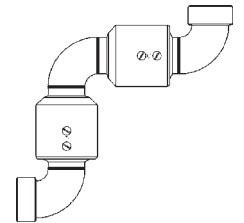
Style 50



Style 60

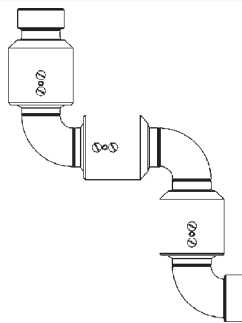


Style 70

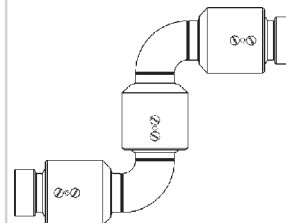


triple plane

Style 80



Style 10



V-ring type available in carbon steel and stainless steel. O-ring type available in aluminum, brass, iron, steel and stainless steel. Sizes from 1" - 8". Pressures to **1,000 PSI**.

For more information, see the Dixon Swivel Price List