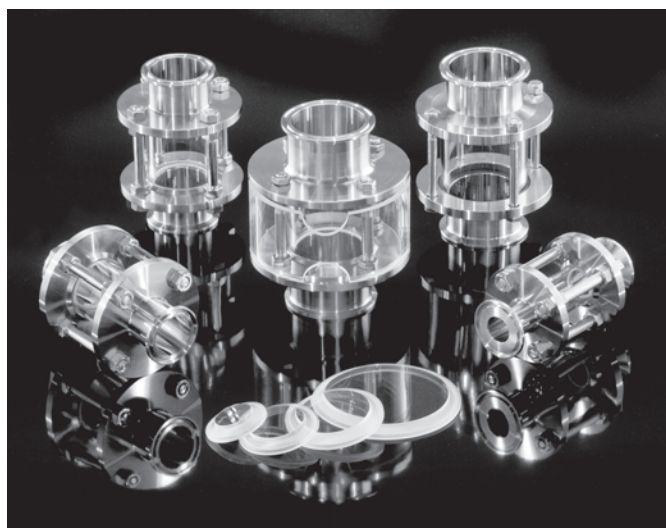




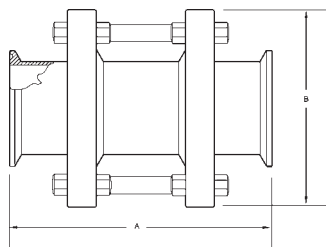
Sanitary Sight Glasses



The same quality that Dixon Sanitary customers have come to expect since 1986 has now been expanded to include sight glasses and accessories.

These new selections are available from our thirteen distribution centers - so we can ship the parts you need within twenty-four hours.

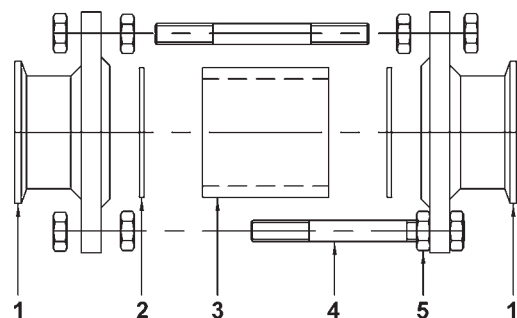
In-Line Sight Glass - *B54BMP*



- Made with borosilicate (Pyrex®) glass with white buna gaskets
- Various end configurations are available: clamp, weld, bevel seat, John Perry, I-line, and Q-line
- Maximum temperature: **200°F**

Tube O.D.	Dimensions		Part Number	Working Pressure
	A	B		
1"	5.625	3.250	B54BMP-R100	145
1½"	5.625	4.000	B54BMP-R150	145
2"	5.625	4.250	B54BMP-R200	145
2½"	6.125	4.750	B54BMP-R250	120
3"	7.250	5.500	B54BMP-R300	120
4"	7.375	6.500	B54BMP-R400	95
6"	7.625	9.500	B54BMP-R600	80

B54BMP Sight Glass Replacement Parts



Seal Kit Contains:
(2) white buna gaskets

R

Item	Description	Material	Qty
1	end plate	316L stainless	2
2	gasket	white buna	2
3	tube	glass	1
4	stud	304 stainless	4/6
5	nuts	304 stainless	8/12

Size	Seal Kit Part Number	Replacement Glass
1"	B54BMP-SK100	B54G-P100
1½"	B54BMP-SK150	B54G-P150
2"	B54BMP-SK200	B54G-P200
2½"	B54BMP-SK250	B54G-P250
3"	B54BMP-SK300	B54G-P300
4"	B54BMP-SK400	B54G-P400
6"	B54BMP-SK600	B54G-P600