

Digital Sanitary Gauge

PRODUCT SPECIFICATIONS

Type: 2032 (0.50% F.S. accuracy), 2032 (battery)
Accuracy: 0.50% terminal point at full scale
Case Size: 3"
Case Material: 3" 300 series stainless steel
Case Finish: electro polished
Case Rating: weatherproof, IP65
Wetted Parts: 316 stainless steel
Clamp Connection: 1½", 2" (gauge welded to seal)
Seal Surface Finish: 12-20 Ra
Patent Pending "No Liq" Liquidless Design: Standard
Connection Location: lower, 3:00, 9:00, 12:00
Ranges: 15 PSI thru 1,000 PSI including metric, compound and vac
Operating Temperature: 14°F / 275°F to withstand clean in place (CIP) and steam in place (SIP)
Storage Temperature: -4°F / 158°F (-20°C / 70°C)
Proof Pressure: 2x range of gauge

DISPLAY

Type: LCD
Display Digits: 5 digits
Character Height: .60"
Backlit: off by default
Bar Graph: yes
Battery Life: 1000 hrs.
Agency Approvals: FM, CE, CSA, 3A (pending)

KEYPAD FUNCTIONS

On/Off: manually turns unit on and off (auto off options in menu)
Zero/Clear: zeros display or clears min. and max. values when displayed
Min/Max • Arrow Key: stores min. and max. values • Arrow Key allows for scrolling thru menu options
Menu: allows for changes to default settings (see below)
Backlit (optional) • Arrow Key: manually turns backlit on and off (auto off options in menu) • Arrow Key allows for scrolling thru menu items
Enter: selects items in configuration menu

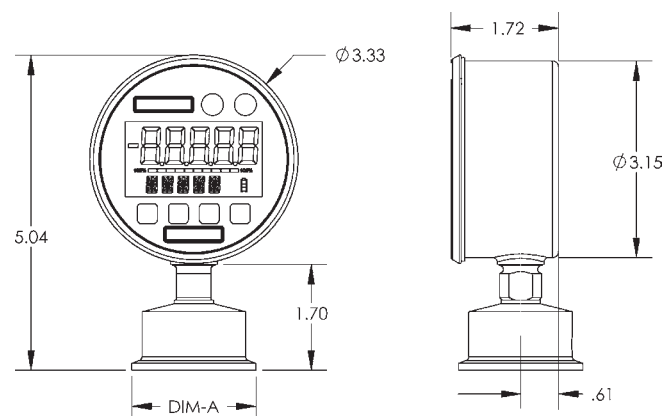
MENU MODE

Engineering Units: 10 units of measurement are available PSI, INH2O with 3 temp. options: 20°C, 60°F, 4°C MMHg, FTH2O, MPA, KPA, KG/CM2 and BAR
Configuration Mode (Config): allows for changes to default settings of gauge
Bar Graph: allows for adjustment of bar graph and 4-20 (optional feature)
Auto Off (On): allows for changes to auto off of gauge 5 options: 30 min., 10 min., 5 min., 2 min. never
Update Rate: 4 options: 100 milli-sec., 1 sec, 500 milli-sec, 200 milli-sec
Dampening: 6 options: none, Average 8, 6, 4, 2 times per 100 ms
Backlit: 5 options: NEVER, 10 sec., 30 sec., 1 min., 5 min.
Zero disable: similar to 2074
Field Recalibration: zero, span and midscale (password protected)
Calibration: allows for recalibration of zero and span



Digital Sanitary Gauge

Size	Description	Part Number
3"	battery powered	30-2032SD15L
		30-2032SD20L
3"	loop powered	30-2132SD15L
		30-2132SD20L
3"	line powered	30-2232SD15L
		30-2232SD20L



Size	Dimension A
1.5"	1.98
2.0"	2.49