

1036 Sanitary In-Line Gauges

3½" Dial



- All welded stainless steel wetted surface
- Field liquid fillable gauge case
- True Zero™ pointer indication
- PowerFlex™ movement for extended lift
- Easy Zero™ external pointer adjustment standard
- Retrofits Anderson Instrument CPM design

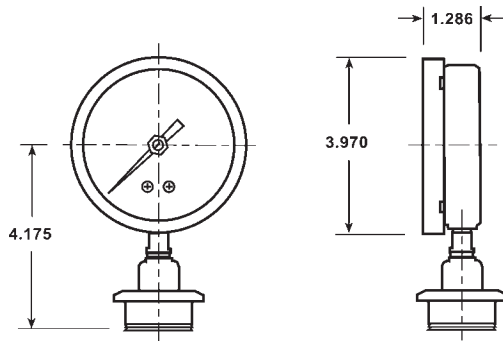
Lower Mount

Size	Part Number
1½"	351036S*15L#

Pressure range of 15, 30, 60, 100, 160, 200, 300, 400 or 600

* L = Glycerin filled
D = Dry

1036 gauge to be used with 1037 instrument tee.

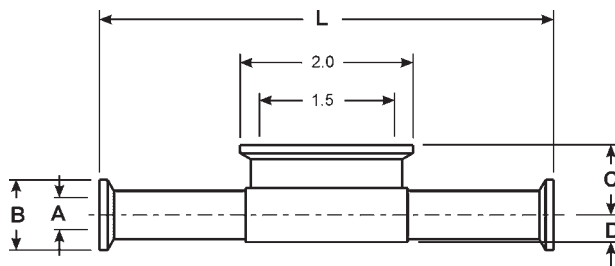


1037 Instrument Tee

Tee fitting



- 316L stainless steel construction
- Wetted parts electro-polished to 12 to 20 RA surface finish
- Heat number stamped on fitting



Tube O.D.	Dimensions					Part Number
	A	B	C	D	L	
½"	0.380	0.980	0.810	0.310	5.250	50-1037
¾"	0.630	0.980	0.930	0.430	5.250	75-1037
1"	0.870	1.980	1.050	0.550	4.750	10-1037
1½"	1.370	1.980	1.310	0.810	5.500	15-1037
2"	1.860	2.510	1.560	1.060	7.000	20-1037

Size indicates run indicate 1½" or 2" branch.

1037 Instrument Tee to be used with 1036 gauge.

Prior to reinstalling the type 1036 gauge on the type 1037 instrument tee fittings, we recommend replacing the O-ring.