



## 1032 Sanitary Pressure Gauges

### 4½" Dial

- **Accuracy:** 1.5% F.S. for pressure ranges 100 PSI and above. 2.0% F.S. for vacuum, compound and ranges below 100 PSI (1) (3)
- **Case and ring material:** 300 series stainless steel
- **Ring type:** bayonet, removable
- **Bourdon tube and socket material:** 316 stainless steel
- **Diaphragm material and surface finish:** 316L stainless steel and 12 to 20 RA
- **Process connection:** 2" clamp, *only*
- **Connection location:** lower or back
- **System fill:** glycerin
- **Window material:** glass
- **Pointer:** black painted aluminum adjustable
- **Dial:** white with black markings
- **Movement:** 400 series stainless steel
- **Agency approvals:** 3A compliance (1)
- **Clean or steam in place (CIP or SIP):** temperature limit of 300°F (149°C)<sup>(2)</sup>
- **Temperature error:** ± 0.16% / 10°F change at 70°F
- **Autoclave or sterilize:** temperature limit of 300°F (149°C)<sup>(2)</sup>



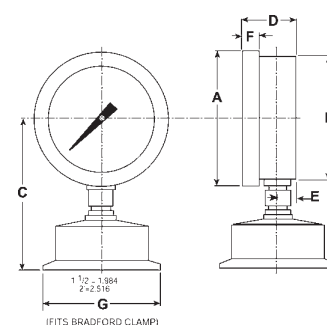
### Lower Mount

Size	Dimensions							Part Number
	A	B	C	D	E	F	G	
1½"	5-3/16"	4-9/16"	4-15/32"	2-1/16"	15/16"	15/32"	2"	451032S*15L#
2"	5-3/16"	4-9/16"	4-15/32"	2-1/16"	15/16"	15/32"	2-1/2"	451032S*20L#

# Pressure range of 15, 30, 60, 100, 160, 200, 300, 400 or 600

\* L = glycerin filled

D = dry



### Options

Liquid filled case (2)

USP food grade glycerin	available
Food grade silicone	available
Neobee-m20 (system fill)	available
Shatterproof glass window	available
Polycarbonate window	available
Polysulphone window	<i>not available</i>
1½" line connection	available
1½" or 2" I line connection	available
Connection at 3:00	available
Connection at 9:00	available
Serial number or service marking on dial	available
Tagging of instrument with stainless steel tag (wired)	available
External zero adjustment, tamper proof design	<i>not available</i>
Zero and span adjustments	standard

(1) Compliance to sanitary standard 74-00.

(2) It is recommended that the gauge case be drained of fill liquid prior to autoclave or sterilization.

(3) Gasket material and clamp torque tightness may effect gauge accuracy.

The Ashcroft type 1032 fractional sanitary pressure gauge is calibrated at the factory using a buna gasket.

A single pin clamp is tightened to 25 inch pounds during calibration as recommended by the clamp manufacturer.

Specify gasket material if other than buna when ordering the Ashcroft 1032 fraction pressure gage.