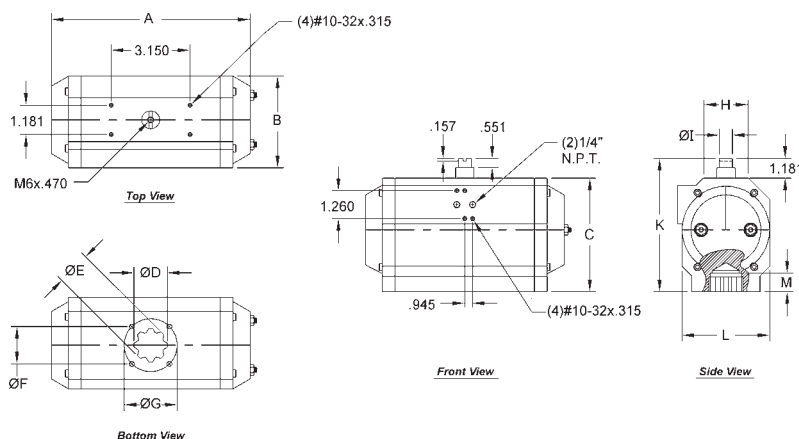


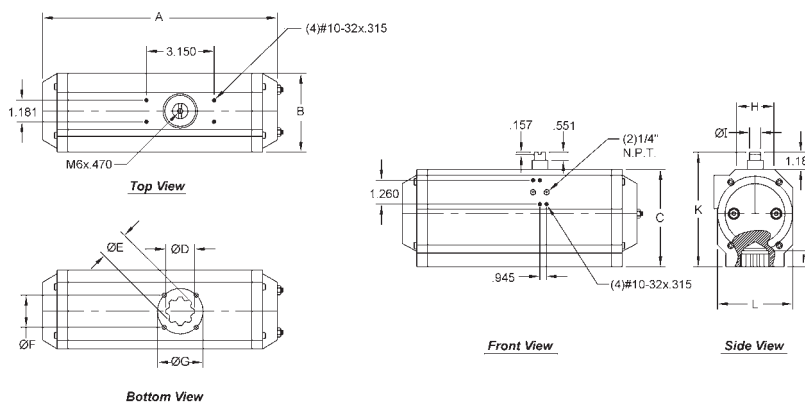
180° Aluminum Rack and Pinion Actuator

Dimensions for Double Acting



Part Number	Dimensions (inches)											
	A	B	C	D (mm)	E (mm)	F	G	H	I	K	L	M
RP-MA-012-DA	4.7	2.6	2.8	11	11	n/a	F04	1.9	0.5	4	2.1	0.5
RP-MA-016-DA	9.2	3.3	3.5	14	14	n/a	F05	1.7	0.5	4.8	2.8	0.7
RP-MA-017-DA	10.8	3.3	3.5	14	14	n/a	F05	1.7	0.5	4.8	2.8	0.8
RP-MA-021-DA	9.9	3.8	4.5	17	17	n/a	F07	1.8	0.6	5.6	3.4	0.9
RP-MA-026-DA	13	3.8	4.4	17	17	n/a	F07	1.8	0.8	5.6	3.4	0.9
RP-MA-031-DA	13	4.5	5.2	17	17	n/a	F07	2.3	0.8	6.4	4.1	0.9
RP-MA-036-DA	13.7	5.4	6.5	22	22	F07	F10	2.6	0.8	7.7	5.2	1.2
RP-MA-041-DA	15.8	5.4	6.5	22	22	F07	F10	2.6	1.1	7.7	5.2	1.2
RP-MA-046-DA	20	5.9	7	22	22	F07	F10	3	1.1	8.2	5.7	1.2
RP-MA-051-DA	19.6	7.3	8.5	27	27	n/a	F12	4	1.1	9.8	7.2	1.5
RP-MA-056-DA	23.9	7.3	8.5	27	27	n/a	F12	4	1.1	9.8	7.2	1.5

Dimensions for Spring Return



Part Number	Dimensions (inches)											
	A	B	C	D (mm)	E (mm)	F	G	H	I	K	L	M
RP-MA-015-SR	10.85	3.35	3.54	14	14	n/a	F05	1.70	0.50	4.76	2.76	0.70
RP-MA-017-SR	12.82	3.35	3.54	14	14	n/a	F05	1.70	0.50	4.76	2.76	0.80
RP-MA-020-SR	11.69	3.78	4.41	17	17	n/a	F07	1.80	0.60	5.63	3.39	0.90
RP-MA-025-SR	15.53	3.78	4.41	17	17	n/a	F07	1.80	0.80	5.63	3.39	0.90
RP-MA-030-SR	15.20	4.45	5.16	17	17	n/a	F07	2.30	0.80	6.38	4.09	0.90
RP-MA-035-SR	16.04	5.43	6.50	22	22	F07	F10	2.60	0.80	7.72	5.16	1.20
RP-MA-040-SR	18.80	5.43	6.50	22	22	F07	F10	2.60	1.10	7.72	5.16	1.20
RP-MA-045-SR	23.15	5.95	6.97	22	22	F07	F10	3.00	1.10	8.19	5.75	1.20
RP-MA-050-SR	23.41	7.28	6.97	27	27	n/a	F12	4.00	1.10	9.76	7.17	1.50
RP-MA-055-SR	27.70	7.28	8.54	27	27	n/a	F12	4.00	1.10	9.76	7.17	1.50