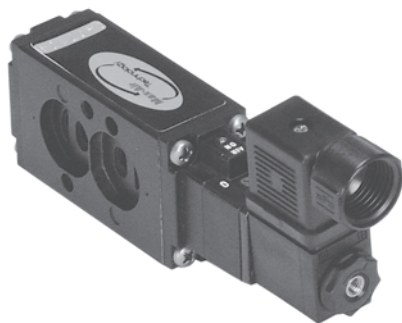




NAMUR Mount Solenoid Valves



Features

- Exclusive 'pop-up' indicator provides a quick check for valve pressurization
- Easy to use override
- Single, dual coils or 3 position configurations are available
- NEMA 4 or 7 versions are available
- Lighted DIN connectors are available
- Intrinsically safe coils are available

Material Specifications

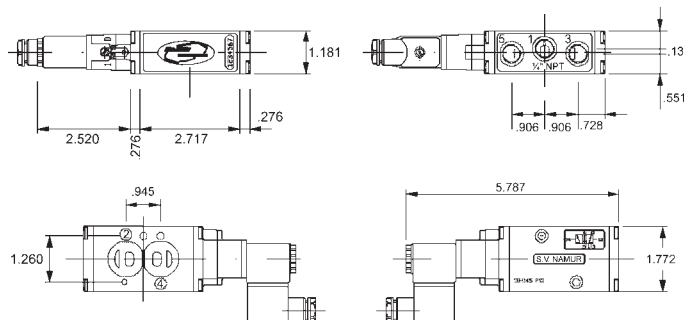
- Body: epoxy coated die cast aluminum
optional body material: stainless steel
- Spool: electroless-nickel plated aluminum
- Piston: aluminum
- Spring: stainless steel
- Seal: Buna N (standard)
optional seal material: EPDM
- Screws: stainless steel
- other components: technopolymer

Technical Specifications

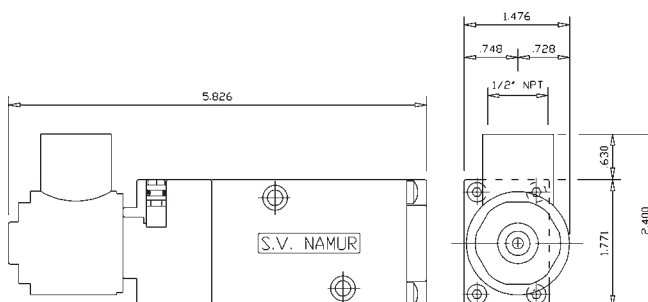
- DC Coil Voltage: 12v, 24v
- AC Coil Voltage (60Hz): 24v, 120v, 220v
- Standard Protection Class: NEMA 4
(DIN connector, as shown)
- Electrical Connection: 9mm DIN connector
(DIN 43650)
- Coil Insulation: Class F
- Supply Air and Environment Temperature Limits:
-4°F to 158°F
- BunaN seal temperature range: **-4°F to 158°F**
- EPDM seal temperature range: **14°F to 248°F**

Note: Temperature ranges indicate air temperatures for seal material.

XSO-4S4-0A NEMA 4, four way single coil, 115 VAC



XSO-4S7-0A NEMA 7, four way single coil, 115 VAC



XSO-4D4D-0A NEMA 4, four way dual coil, 115 VAC

