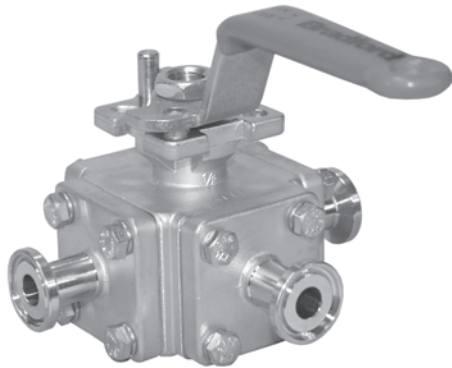


## Multi-port 3-way Sanitary Stainless Steel Ball Valve



- Meets 3A sanitary standard 68-00 (Authorization number 1022).
- Compact design for areas with tight space restrictions
- Full port design (½" - 3") offers lower pressure drop and a less turbulent flow
- Reduced port design on 4"
- Balanced encapsulated construction minimizes cold flow of seats
- Precision stainless steel balls reduce torque and friction losses while extending seat life
- Ball orientation is indicated with markings on the stem
- Blow-out proof stem
- Live-loaded stem packing
- ISO 5211 mounting pad
- Lockable handle can prevent accidental actuation when used
- ID polish is R<sub>a</sub> 32 Minimum
- Rated to **1,000 PSI WOG**

### Bradford™ quality: maintaining the **3A** standard

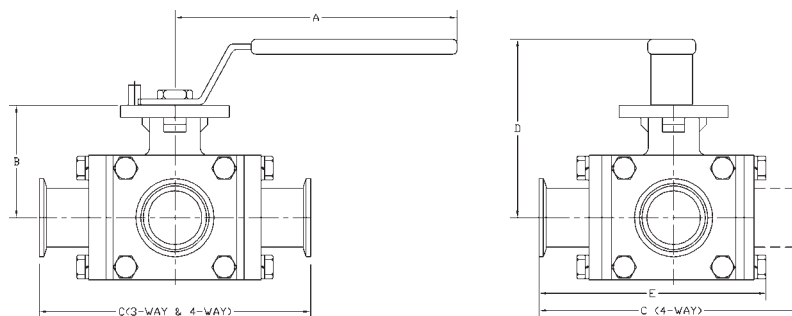
The Sanitary Standards were originally created by the dairy industry as a voluntary benchmark for sanitary safety. The standards are still developed collaboratively by a group of processors, suppliers, and sanitation specialists.

Dixon Sanitary has earned the 3A symbol through the Third Party Verification (TPV) program, which requires a professional assessment rather than voluntary compliance to make certain each product conforms in all respects to the published standard. The standards are accepted by the USDA and USFDA.

Bradford™ Sanitary ball valves meet 3A Sanitary Standards for Valves for Milk and Milk Products, Number 68-00 (Authorization number 1022). See the Dixon Sanitary website, [www.dixonvalve.com](http://www.dixonvalve.com), to download a PDF of the certificate or call Dixon Sanitary.

Dixon Sanitary is proud to be a participant in the 3A TPV program.

### Dimensions for BV3S/BV4S



Size (in.)	3-way 'L' port Part Number	3-way 'T' port Part Number	Dimensions (inches)					Break torque (in-lbs.)		Weight (lbs.)
			A	B	C	D	E	'L' port	'T' port	
½"	BV3S*LF050CC-A	BV3S*TF050CC-A	4.7	1.8	4.6	3.2	3.9	62	50	3.6
¾"	BV3S*LF075CC-A	BV3S*TF075CC-A	4.7	1.9	5.0	3.4	4.2	75	60	4.3
1"	BV3S*LF100CC-A	BV3S*TF100CC-A	5.2	2.3	6.0	3.8	5.0	100	80	6.8
1½"	BV3S*LF150CC-A	BV3S*TF150CC-A	7.2	2.8	6.9	4.5	5.8	262	210	12.6
2"	BV3S*LF200CC-A	BV3S*TF200CC-A	7.2	3.2	7.5	5.0	6.7	535	425	21.6
2½"	BV3S*LF250CC-A	BV3S*TF250CC-A	14.6	3.9	9.0	5.3	7.1	1250	1000	33.7
3"	BV3S*LF300CC-A	BV3S*TF300CC-A	15.7	4.9	10.2	6.4	8.5	1625	1300	56.4
4"	BV3S*LR400CC-A	BV3S*TR400CC-A	15.7	5.3	11.4	6.8	10.6	1875	1500	85.4

- (\*) see seat material options chart on page 125.
- All dimensions are in inches. Dimensions are approximate. Engineering dimensions are available upon request. Specifications are subject to change without notice.