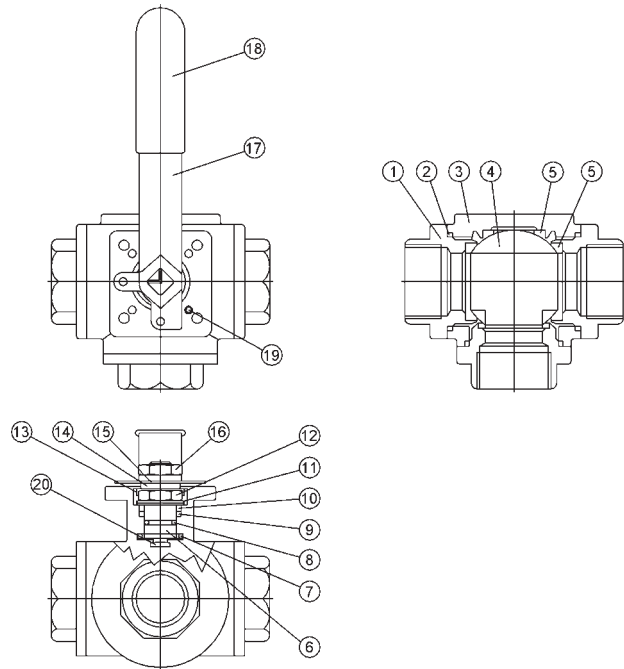


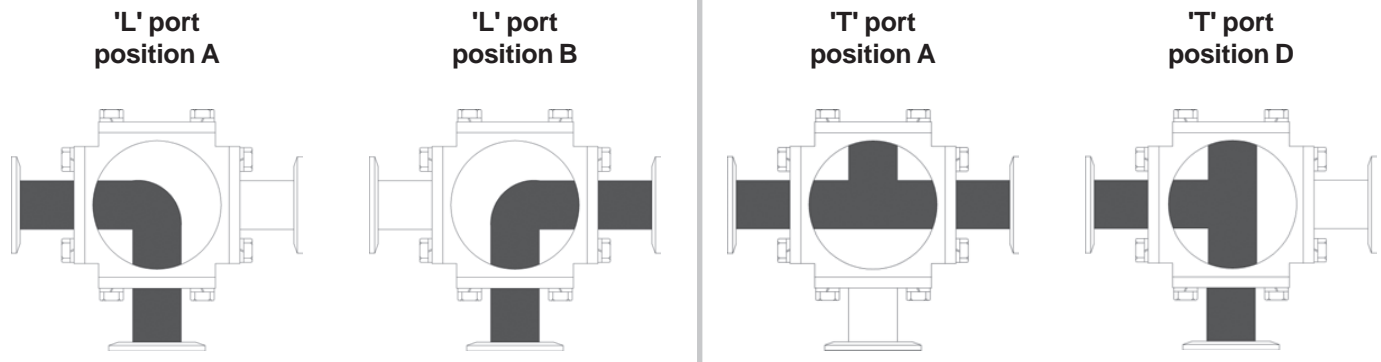
Multi-port Industrial Stainless Steel Ball Valve

Materials List for BV3IG

Item	Description	Material	Qty
1	end cap	CF8M	3
2	gasket	PTFE	3
3	body	CF8M	1
4	ball	316 stainless	1
5	seat	PTFE	4
6	stem	RTFE	1
7	stem seal	Viton®	1
8	o-ring	PTFE	1
9	stem packing	304 stainless	1
10	gland	301 stainless	1
11	Belleville washer	304 stainless	2
12	stem nut	304 stainless	1
13	nut stop	304 stainless	1
14	space washer	304 stainless	1
15	lock saddle	304 stainless	1
16	handle nut	304 stainless	1
17	handle	304 stainless	1
18	handle sleeve	vinyl	1
19	stop pin	304 stainless	1
20	insert pin	316 stainless	1



Flow Paths for BV3IG



Alternate flow paths are available upon request, refer to page 127.

Repair Kits for BV3IG

Seat Repair Kit

Size	Part Number
1/4"	BV-3I-GK0251
3/8"	BV-3I-GK0381
1/2"	BV-3I-GK0501
3/4"	BV-3I-GK0751
1"	BV-3I-GK1001
1 1/2"	BV-3I-GK1501
2"	BV-3I-GK2001

Repair Kit contains:

- (3) PTFE gaskets
- (4) PTFE seats
- (1) RTFE stem
- (1) Viton® stem seal
- (1) PTFE stem packing