



Multi-port Industrial Stainless Steel Ball Valve

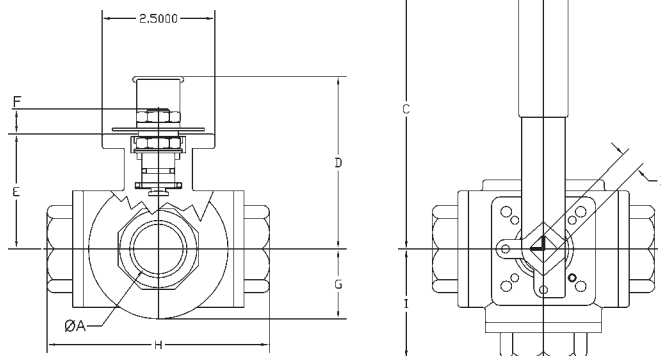


- Full port stainless steel
- Female NPT ends
- ISO 5211 mounting pad
- Blow-out proof stem
- Self adjusting stem packing
- Pressure rating: ¼" to 1" **1000 PSI**
1¼" to 2" **800 PSI**
- Temperature range: **-20°F to 450° F**
- 100% air tested under water at 80 PSI

| Size | 'L' port Part Number | 'T' port Part Number |
|------|-------------------------|-------------------------|
| ¼" | BV3IGLF-0251-A | BV3IGTF-0251-A |
| 3/8" | BV3IGLF-0381-A | BV3IGTF-0381-A |
| ½" | BV3IGLF-0501-A | BV3IGTF-0501-A |
| ¾" | BV3IGLF-0751-A | BV3IGTF-0751-A |
| 1" | BV3IGLF-1001-A | BV3IGTF-1001-A |
| 1¼" | BV3IGLF-1251-A | BV3IGTF-1251-A |
| 1½" | BV3IGLF-1501-A | BV3IGTF-1501-A |
| 2" | BV3IGLF-2001-A | BV3IGTF-2001-A |

Note: see next page for default flow paths.

Dimensions for BV3IG



| Size (in.) | Dimensions (inches) | | | | | | | | | ISO5211 | Break torque (in-lbs.) | Weight (lbs.) |
|---------------|---------------------|-------|-------|------|------|------|------|------|------|---------|------------------------------|------------------|
| | A | B(mm) | C | D | E | F | G | H | I | | | |
| ¼" | 0.43 | 9 | 5.12 | 2.44 | 1.45 | 0.40 | 0.78 | 2.83 | 1.41 | F03/F04 | 105 | 0.70 |
| 3/8" | 0.47 | 9 | 5.12 | 2.44 | 1.45 | 0.40 | 0.78 | 2.83 | 1.41 | F03/F04 | 105 | 0.72 |
| ½" | 0.59 | 9 | 5.12 | 2.51 | 1.65 | 0.45 | 0.91 | 3.26 | 1.63 | F03/F04 | 138 | 0.72 |
| ¾" | 0.78 | 11 | 6.49 | 3.22 | 1.65 | 0.59 | 1.10 | 3.89 | 1.94 | F04/F05 | 184 | 1.11 |
| 1" | 0.98 | 11 | 6.49 | 3.50 | 2.18 | 0.55 | 1.33 | 4.40 | 2.20 | F04/F05 | 323 | 1.71 |
| 1¼" | 1.25 | 14 | 8.07 | 3.85 | 2.48 | 0.64 | 1.53 | 4.92 | 2.46 | F05/F07 | 461 | 2.77 |
| 1½" | 1.50 | 14 | 8.07 | 4.25 | 2.88 | 0.62 | 1.88 | 5.86 | 2.93 | F05/F07 | 633 | 3.82 |
| 2" | 2.00 | 17 | 12.79 | 5.51 | 3.63 | 0.88 | 2.36 | 6.85 | 3.42 | F07/F10 | 1037 | 6.73 |

Note: all dimensions are in inches. Dimensions are approximate. Engineering dimensions are available upon request. Specifications are subject to change without notice.