



Multi-port Industrial Brass Ball Valve

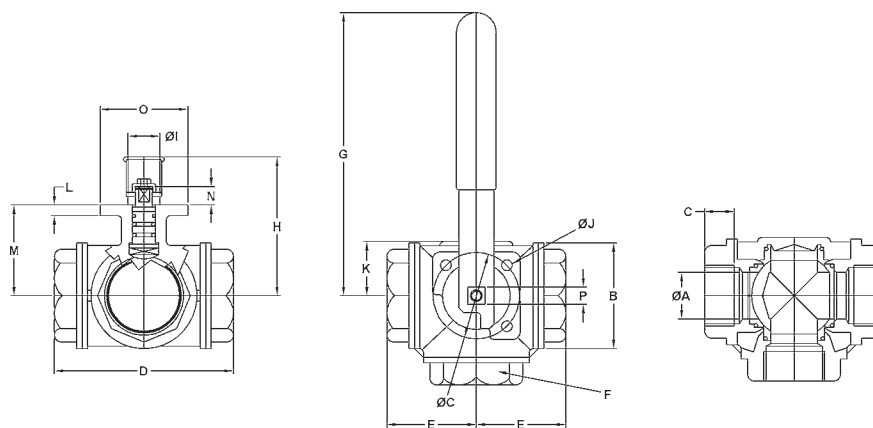


- Reduced port brass
- Female NPT ends
- ISO 5211 mounting pad
- Blow-out proof stem
- Chrome plated brass ball
- PTFE seats with O-ring backing for low operation torque
- Double O-ring stem packing
- Pressure rating: **400 WOG; 100 WSP**
- Maximum temperature: **344° F**
- 100% tested

Size	'L' port Part Number	'T' port Part Number
¼"	BV3BVLR-0251-A	BV3BVTR-0251-A
3/8"	BV3BVLR-0381-A	BV3BVTR-0381-A
½"	BV3BVLR-0501-A	BV3BVTR-0501-A
¾"	BV3BVLR-0751-A	BV3BVTR-0751-A
1"	BV3BVLR-1001-A	BV3BVTR-1001-A
1¼"	BV3BVLR-1251-A	BV3BVTR-1251-A
1½"	BV3BVLR-1501-A	BV3BVTR-1501-A
2"	BV3BVLR-2001-A	BV3BVTR-2001-A
2½"	BV3BVLR-2501-A	BV3BVTR-2501-A
3"	BV3BVLR-3001-A	BV3BVTR-3001-A

Note: see next page for default flow paths.

Dimensions for BV3BV



Size (in.)	Dimensions (inches)															P (mm)	ISO 5211	Break torque (in-lbs.)	Weight (lbs.)
	A	B	C	D	E	F	G	H	I	J	K	L	M	N	O				
¼"	0.39	1.34	0.39	2.64	1.32	0.86	4.72	2.44	0.87	0.23	0.77	0.20	1.20	0.35	1.49	9	F03	53.1	1.22
3/8"	0.43	1.34	0.40	2.64	1.32	0.86	4.72	2.44	0.87	0.23	0.77	0.20	1.20	0.35	1.49	9	F03	53.1	1.16
½"	0.43	1.34	0.53	2.87	1.44	1.06	4.72	2.44	0.87	0.23	0.77	0.20	1.20	0.35	1.49	9	F03	53.1	1.21
¾"	0.59	1.53	0.55	3.19	1.60	1.25	4.72	2.52	0.87	0.23	0.87	0.20	1.29	0.35	1.49	9	F03	53.1	1.44
1"	0.79	1.89	0.66	3.74	1.87	1.61	6.69	2.95	0.94	0.27	1.00	0.28	1.63	0.43	1.97	11	F05	150.46	2.64
1¼"	0.98	2.36	0.68	4.39	2.20	1.96	6.69	3.17	0.94	0.27	1.22	0.28	1.85	0.43	1.97	11	F05	150.46	4.15
1½"	1.26	2.83	0.68	4.86	2.43	2.16	6.69	3.66	1.26	0.27	1.79	0.28	2.34	0.43	1.97	11	F05	150.46	6.02
2"	1.57	3.38	0.70	5.73	2.87	2.75	9.05	4.43	1.46	0.35	1.75	0.32	2.90	0.59	2.75	14	F07	274.37	9.08
2½"	1.95	4.37	0.93	6.93	3.47	3.34	9.05	4.86	1.46	0.35	2.20	0.32	3.35	0.59	2.75	14	F07	380.58	16.33
3"	1.95	4.45	1.01	7.08	3.54	4.13	9.05	4.86	1.46	0.35	2.20	0.32	3.35	0.59	2.75	14	F07	380.58	19.55

Note: all dimensions are in inches. Dimensions are approximate. Engineering dimensions are available upon request. Specifications are subject to change without notice.