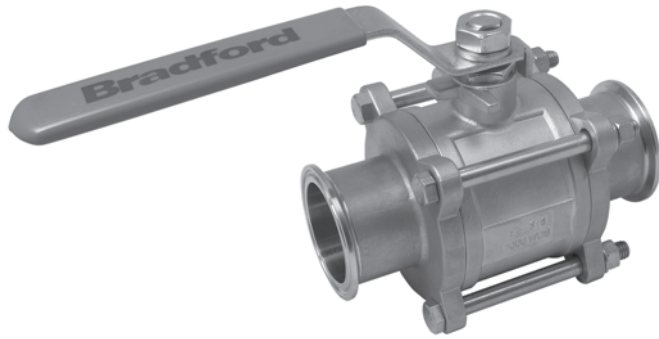


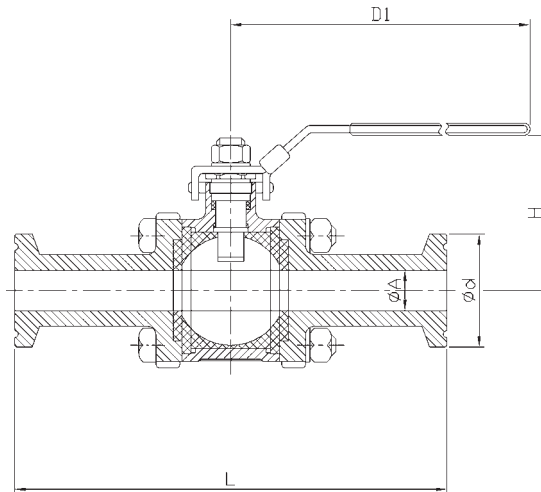
## Non-Encapsulated 2-way 3 Piece Stainless Steel Ball Valve



- Compact design for areas with tight space restrictions
- Full port design offers lower pressure drop and a less turbulent flow
- Balanced non-encapsulated construction minimizes cold flow
- Precision stainless steel balls reduce torque and friction losses while extending seat life
- Blow-out proof stem
- Live loaded stem packing
- Lockable handle can prevent accidental actuation when used
- ID polish is  $R_a$  32 minimum
- Rated to **1,000 PSI** WOG

Size	Part Number
½"	BV2GG-050CC-A
¾"	BV2GG-075CC-A
1"	BV2GG-100CC-A
1½"	BV2GG-150CC-A
2"	BV2GG-200CC-A
2½"	BV2GG-250CC-A
3"	BV2GG-300CC-A
4"	BV2GG-400CC-A

### Dimensions for BV2GG



Size (in.)	Dimensions (inches)					Break torque (in-lbs.)	Weight (lbs.)
	D1	H	L	Ø A	Ø D		
½"	4.1	2.3	4.6	0.37	1.0	55	1.4
¾"	4.1	2.5	4.7	0.63	1.0	71	1.8
1"	5.0	2.8	4.9	0.87	2.0	101	2.6
1½"	6.1	3.5	5.6	1.38	2.0	221	4.6
2"	7.6	3.9	6.4	1.87	2.5	345	8.5
2½"	7.6	4.4	7.8	2.37	3.0	883	17.8
3"	10.9	4.9	9.0	2.87	3.6	830	28.2
4"	13.2	6.6	9.6	3.83	4.7	1323	41.4

**Note:** all dimensions are in inches. Dimensions are approximate. Engineering dimensions are available upon request. Specifications are subject to change without notice.