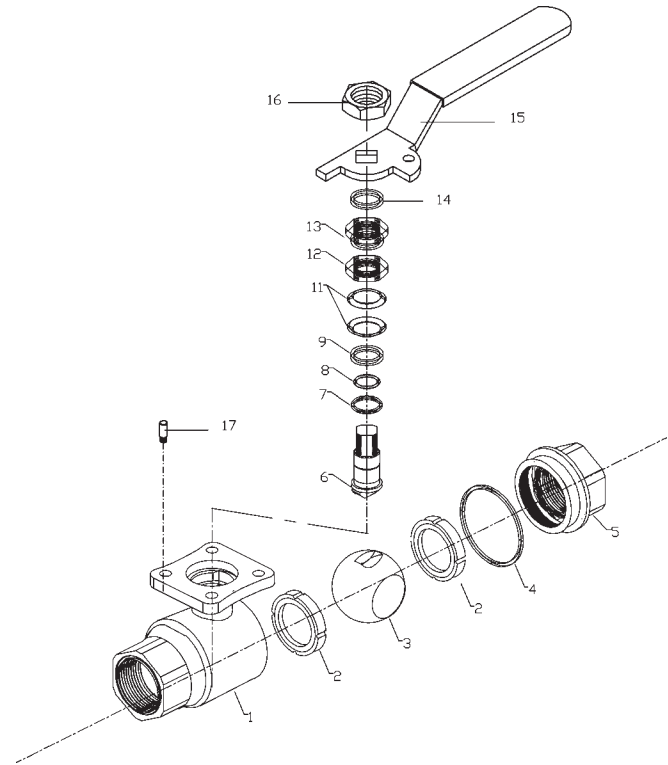


2 Piece Industrial Stainless Steel Ball Valve

Materials List for BV2HG

Item	Description	Material	Qty
1	body	CF8M stainless	1
2	seat	RTFE	2
3	ball	316 stainless	1
4	body seal	PTFE	1
5	end cap	CF8M stainless	2
6	stem	316 stainless	1
7	thrust washer	PTFE	1
8	packing	PTFE	1
9	lock washer	304 stainless	1
11	Belleville washer	304 stainless	2
12	gland nut	304 stainless	1
13	packing nut	304 stainless	1
14	handle washer	304 stainless	1
15	handle w/cover	304 ss / rubber	1
16	handle nut	304 stainless	1
17	stopper	304 stainless	1



Repair Kits for BV2HG

Seat Repair Kit

Size	Part Number
1/4"	BV-2H-GK025
3/8"	BV-2H-GK038
1/2"	BV-2H-GK050
3/4"	BV-2H-GK075
1"	BV-2H-GK100
1 1/4"	BV-2H-GK125
1 1/2"	BV-2H-GK150
2"	BV-2H-GK200
2 1/2"	BV-2H-GK250
3"	BV-2H-GK300

Repair Kit contains:

- (2) RTFE seats
- (1) PTFE body seal
- (1) PTFE thrust washer
- (1) PTFE packing

N