

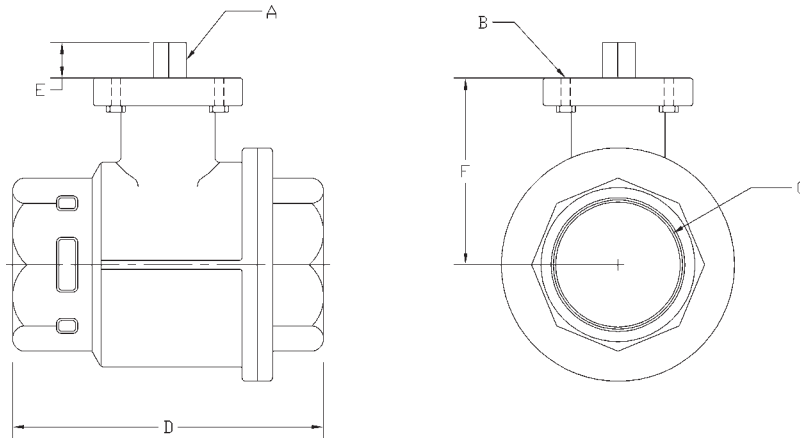
## 2 Piece Industrial Stainless Steel Ball Valve



- Full port stainless steel ball valve with FNPT ends
- Direct mounting ISO 5211 pad for low profile economical actuation
- Blow out proof stem
- Low torque design
- RTFE® seats and TFE seals
- Spring loaded stem packing with Belleville washers
- Pressure rating: **1000 WOG**
- Temperature range: **-40°F to 450°F**

Size	Part Number
¼"	BV2HG-02511-A
3/8"	BV2HG-03811-A
½"	BV2HG-05011-A
¾"	BV2HG-07511-A
1"	BV2HG-10011-A
1¼"	BV2HG-12511-A
1½"	BV2HG-15011-A
2"	BV2HG-20011-A
2½"	BV2HG-25011-A
3"	BV2HG-30011-A

### Dimensions for BV2HG



Size (in.)	Dimensions						ISO5211	Break torque (in-lbs.)	Weight (lbs.)
	A	B	C	D	E	F			
¼"	0.4	0.3	0.5	2.6	0.3	2.0	F03	50	0.30
3/8"	0.4	0.3	0.5	2.6	0.3	2.0	F03	52	0.81
½"	0.4	0.3	0.6	3.0	0.3	2.0	F03/F04	64	0.95
¾"	0.4	0.3	0.8	3.2	0.3	2.1	F03/F04	64	1.45
1"	0.4	0.3	1.0	3.4	0.4	2.4	F04/F05	121	2.36
1¼"	0.4	0.3	1.3	4.3	0.4	2.6	F04/F05	157	3.50
1½"	0.6	0.28/0.35	1.5	4.7	0.6	3.1	F05/F07	182	4.21
2"	0.6	0.28/0.35	2.0	5.5	0.6	3.7	F05/F07	327	7.8
2½"	0.7	0.4	2.6	7.3	0.7	3.9	F07/F10	424	17.6
3"	0.7	0.4	3.2	8.1	0.7	4.4	F07/F10	460	25.3

**Note:** all dimensions are in inches. Dimensions are approximate. Engineering dimensions are available upon request. Specifications are subject to change without notice.