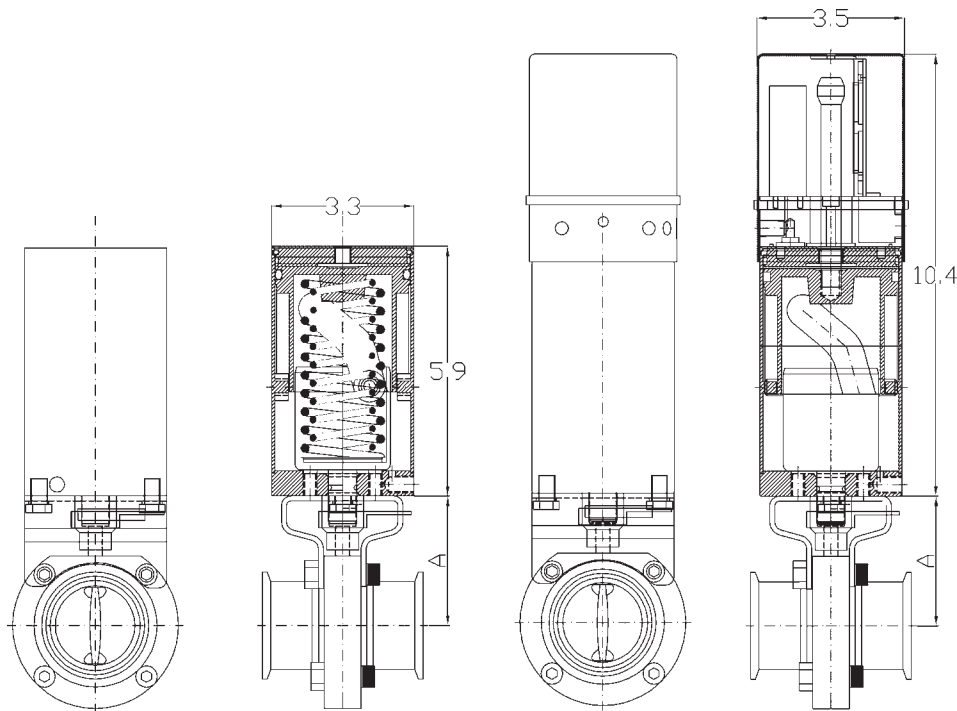




Butterfly Valve Automation

Technical Data, Specifications and Dimensions



Size	5101 series valve	Dimension A (in) 5102 series	5104 series
1"	2.7	2.5	3.1
1½"	2.7	2.5	3.1
2"	3.1	2.9	3.3
2½"	3.5	3.2	3.6
3"	3.7	3.4	3.9
4"	4.5	4.0	4.8

Note: all dimensions are in inches. Dimensions are approximate. Engineering dimensions are available upon request. Specifications are subject to change without notice.

Butterfly valve with EPDM seats and a vertical spring return normally *open* pneumatic canister style actuator

Size	5101 series Part Number	5102 series Part Number	5104 series Part Number
1"	B5101E100CC-F	B5102E100-F	B5104E100CC-F
1½"	B5101E150CC-F	B5102E150-F	B5104E150CC-F
2"	B5101E200CC-F	B5102E200-F	B5104E200CC-F
2½"	B5101E250CC-F	B5102E250-F	B5104E250CC-F
3"	B5101E300CC-F	B5102E300-F	B5104E300CC-F
4"	B5101E400CC-F	B5102E400-F	B5104E400CC-F



Butterfly valve with EPDM seats and a vertical spring return normally *closed* pneumatic canister style actuator

Size	5101 series Part Number	5102 series Part Number	5104 series Part Number
1"	B5101E100CC-G	B5102E100-G	B5104E100CC-G
1½"	B5101E150CC-G	B5102E150-G	B5104E150CC-G
2"	B5101E200CC-G	B5102E200-G	B5104E200CC-G
2½"	B5101E250CC-G	B5102E250-G	B5104E250CC-G
3"	B5101E300CC-G	B5102E300-G	B5104E300CC-G
4"	B5101E400CC-G	B5102E400-G	B5104E400CC-G

Butterfly valve with EPDM seats and a vertical double acting pneumatic canister style actuator

Size	5101 series Part Number	5102 series Part Number	5104 series Part Number
1"	B5101E100CC-H	B5102E100-H	B5104E100CC-H
1½"	B5101E150CC-H	B5102E150-H	B5104E150CC-H
2"	B5101E200CC-H	B5102E200-H	B5104E200CC-H
2½"	B5101E250CC-H	B5102E250-H	B5104E250CC-H
3"	B5101E300CC-H	B5102E300-H	B5104E300CC-H
4"	B5101E400CC-H	B5102E400-H	B5104E400CC-H

Silicone and Viton® seats are also available.