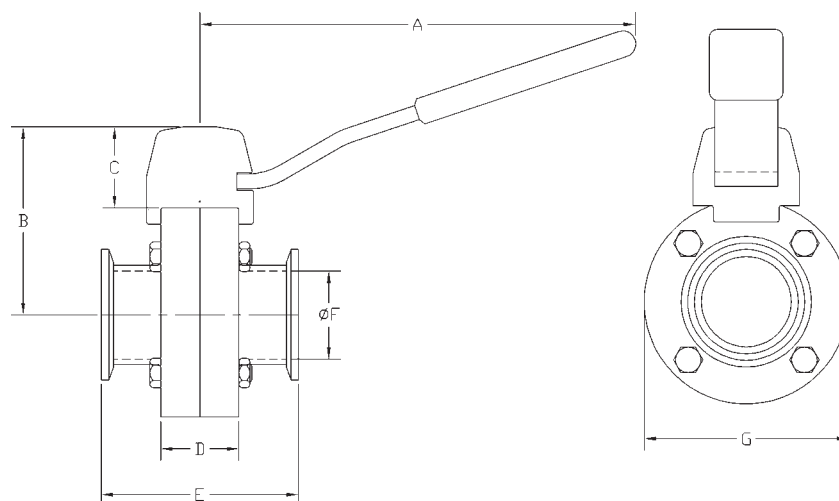




B5104 Series Butterfly Valve

Technical Data, Specifications and Dimensions

B5104 Series Butterfly Valve, Clamp End



| Size | Dimensions (in) | | | | | | |
|------|-----------------|-----|-----|-----|-----|-----|-----|
| | A | B | C | D | E | F | G |
| 1" | 6.6 | 2.9 | 1.2 | 1.9 | 3.0 | 0.9 | 3.1 |
| 1½" | 6.6 | 2.9 | 1.2 | 1.9 | 3.0 | 1.4 | 3.1 |
| 2" | 6.6 | 3.2 | 1.2 | 1.9 | 3.0 | 1.9 | 3.7 |
| 2½" | 6.6 | 3.4 | 1.2 | 1.9 | 3.0 | 2.4 | 4.2 |
| 3" | 6.6 | 3.7 | 1.2 | 1.9 | 3.0 | 2.9 | 4.8 |
| 4" | 9.4 | 4.7 | 1.7 | 1.5 | 3.5 | 3.8 | 5.9 |



M

| Size | Counterclockwise Handle | | | Clockwise Handle | | |
|------|--|--|---|--|--|---|
| | Part Number <i>with Silicone seats with clamp end</i> | Part Number <i>with EPDM seats with clamp end</i> | Part Number <i>with FKM seats with clamp end</i> | Part Number <i>with Silicone seats with clamp end</i> | Part Number <i>with EPDM seats with clamp end</i> | Part Number <i>with FKM seats with clamp end</i> |
| 1" | B5104S100CC-D | B5104E100CC-D | B5104V100CC-D | B5104S100CC-E | B5104E100CC-E | B5104V100CC-E |
| 1½" | B5104S150CC-D | B5104E150CC-D | B5104V150CC-D | B5104S150CC-E | B5104E150CC-E | B5104V150CC-E |
| 2" | B5104S200CC-D | B5104E200CC-D | B5104V200CC-D | B5104S200CC-E | B5104E200CC-E | B5104V200CC-E |
| 2½" | B5104S250CC-D | B5104E250CC-D | B5104V250CC-D | B5104S250CC-E | B5104E250CC-E | B5104V250CC-E |
| 3" | B5104S300CC-D | B5104E300CC-D | B5104V300CC-D | B5104S300CC-E | B5104E300CC-E | B5104V300CC-E |
| 4" | B5104S400CC-D | B5104E400CC-D | B5104V400CC-D | B5104S400CC-E | B5104E400CC-E | B5104V400CC-E |

Note: all dimensions are in inches. Dimensions are approximate. Engineering dimensions are available upon request. Specifications are subject to change without notice.