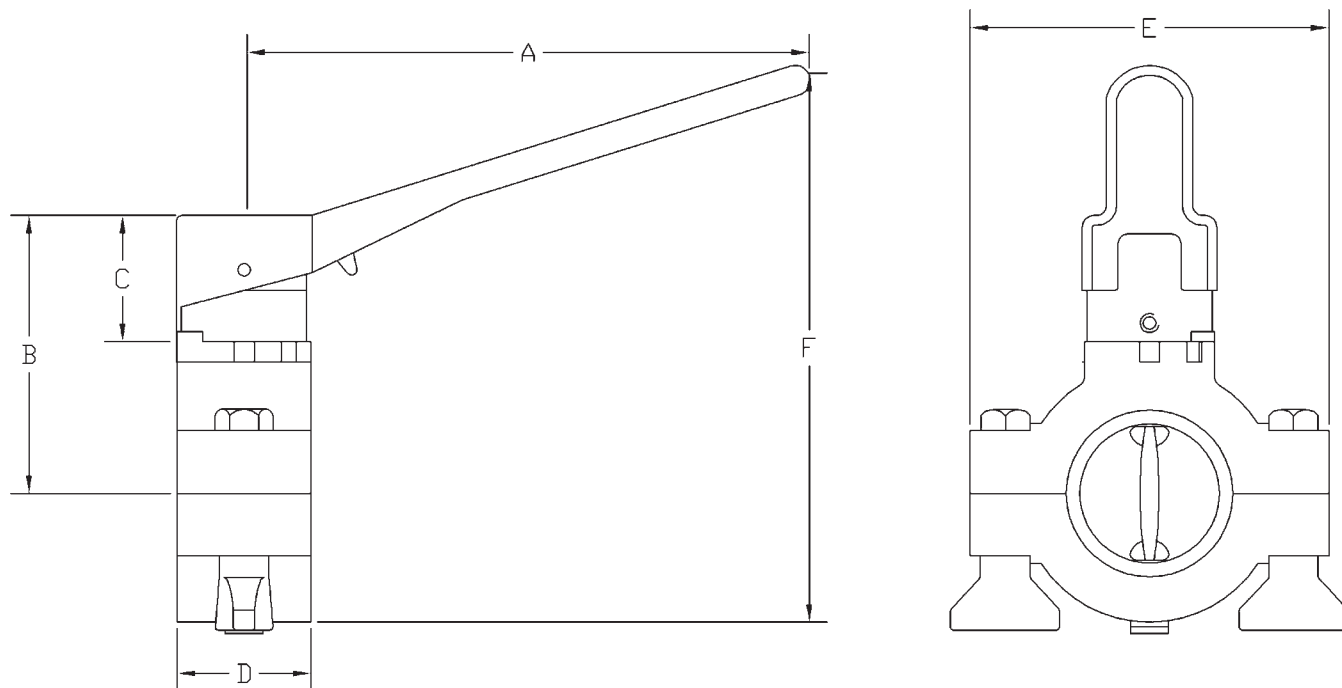




B5102 Series Butterfly Valve

Technical Data, Specifications and Dimensions



M

Size	Dimensions (in)					
	A	B	C	D	E	F
1"	5.6	2.8	1.3	1.3	3.6	5.6
1½"	5.6	2.8	1.3	1.3	3.6	5.6
2"	5.6	3.0	1.3	1.3	4.1	6.1
2½"	5.6	3.3	1.3	1.3	4.6	6.6
3"	5.6	3.6	1.3	1.3	5.3	7.1
4"	5.6	4.1	1.3	1.3	6.4	8.2

Size	Part Number <i>with Silicone seats</i>	Part Number <i>with EPDM seats</i>	Part Number <i>with FKM seats</i>
1"	B5102S100-A	B5102E100-A	B5102V100-A
1½"	B5102S150-A	B5102E150-A	B5102V150-A
2"	B5102S200-A	B5102E200-A	B5102V200-A
2½"	B5102S250-A	B5102E250-A	B5102V250-A
3"	B5102S300-A	B5102E300-A	B5102V300-A
4"	B5102S400-A	B5102E400-A	B5102V400-A

Note: all dimensions are in inches. Dimensions are approximate. Engineering dimensions are available upon request. Specifications are subject to change without notice.