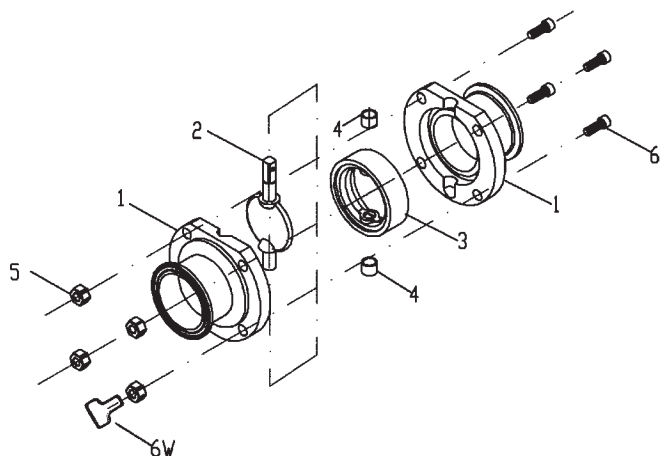
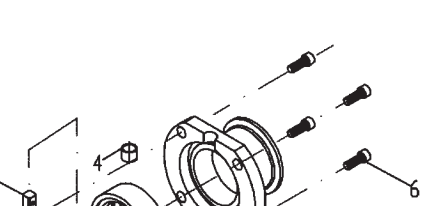
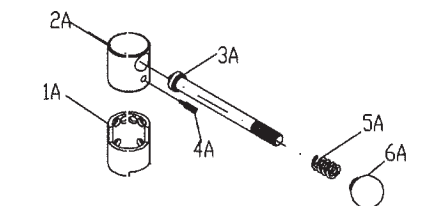
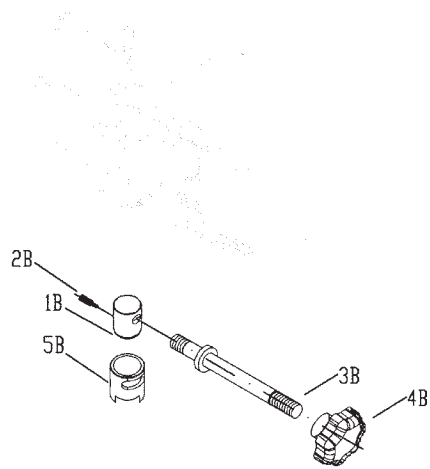
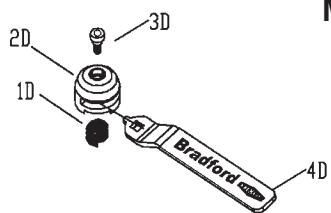


B5101 Series Butterfly Valve Materials List



Item #	Description	Material	Qty
Push Handle			
1D	spring	304	1
2D	hub	CF8	1
3D	handle	CF8	1
4D	hex socket bolt	304	1
Trigger Handle			
1C	sprocket	CF8	1
2C	handle	CF8	1
3C	hex socket bolt	304	1
4C	pin	304	1
5C	spring	304	1
6C	trigger	CF8	1
Infinite Handle			
1B	hub	CF8	1
2B	hex socket screw	304	1
3B	handle shaft	304	1
4B	knob	polymer	1
5B	hub housing	CF8	1
Pull Handle			
1A	hub housing	CF8	1
2A	hub	CF8	1
3A	handle shaft	304	1
4A	hex socket screw	304	1
5A	spring	304	1
6A	knob	polymer	1
Valve			
1	body half	CF8M	1
2	disc	CF8M	1
3	seat	silicone EPDM Viton®	1
4	bushing	polyacetal	2
5	hex nut	304	4 *
6	bolt	304	4 *
6W	wing nut kit (optional)	304	4 *

* 6" valve has a quantity of 8 each
4" and 8" valves have a quantity of 6 each

B5101 Butterfly Valve Repair Kits

Repair Kit contains:
(1) silicone, EPDM,
or Viton® seal
(2) bushings

Size	(Red) Silicone Part #	(Black) EPDM Part #	(Brown) Viton® Part #
1"	B5101-RKS100	B5101-RKE100	B5101-RKV100
1½"	B5101-RKS150	B5101-RKE150	B5101-RKV150
2"	B5101-RKS200	B5101-RKE200	B5101-RKV200
2½"	B5101-RKS250	B5101-RKE250	B5101-RKV250
3"	B5101-RKS300	B5101-RKE300	B5101-RKV300
4"	B5101-RKS400	B5101-RKE400	B5101-RKS400
6"	B5101-RKS600	B5101-RKE600	---
8"	---	B5101-RKE800	---