



## B5101 Series Butterfly Valve

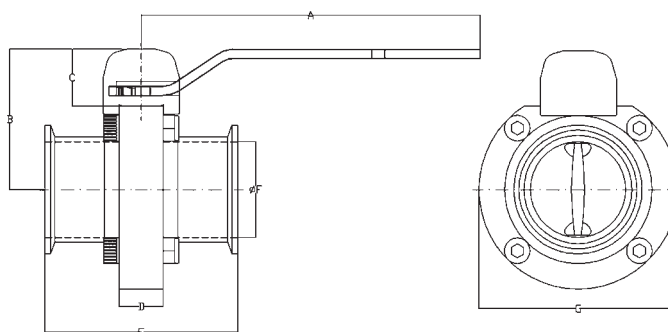
### Technical Data, Specifications and Dimensions

#### B5101 Series Butterfly Valve with Push Handle, Clamp End

Size	Part Number	Part Number	Part Number
	<i>with Silicone seats with clamp</i>	<i>with EPDM seats with clamp</i>	<i>with Viton® seats with clamp</i>
1"	B5101S100CC-D	B5101E100CC-D	B5101V100CC-D
1½"	B5101S150CC-D	B5101E150CC-D	B5101V150CC-D
2"	B5101S200CC-D	B5101E200CC-D	B5101V200CC-D
2½"	B5101S250CC-D	B5101E250CC-D	B5101V250CC-D
3"	B5101S300CC-D	B5101E300CC-D	B5101V300CC-D
4"	B5101S400CC-D	B5101E400CC-D	B5101V400CC-D



Size	Dimensions (in)						
	A	B	C	D	E	F	G
1"	6.7	2.4	1.1	0.9	3.5	0.9	3.1
1½"	6.7	2.4	1.1	0.9	3.5	1.4	3.1
2"	6.7	2.7	1.1	0.9	3.8	1.9	3.9
2½"	6.7	3.1	1.1	0.9	3.8	2.4	4.6
3"	9	3.3	1.1	1.2	4.1	2.9	5.2
4"	9	4.1	1.1	1.2	4.8	3.8	6.7

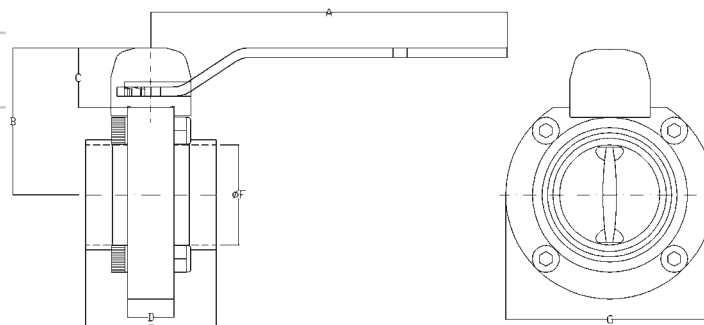


#### B5101 Series Butterfly Valve with Push Handle, Butt Weld End

Size	Part Number	Part Number	Part Number
	<i>with Silicone seats with butt weld</i>	<i>with EPDM seats with butt weld</i>	<i>with Viton® seats with butt weld</i>
1"	B5101S100BB-D	B5101E100BB-D	B5101V100BB-D
1½"	B5101S150BB-D	B5101E150BB-D	B5101V150BB-D
2"	B5101S200BB-D	B5101E200BB-D	B5101V200BB-D
2½"	B5101S250BB-D	B5101E250BB-D	B5101V250BB-D
3"	B5101S300BB-D	B5101E300BB-D	B5101V300BB-D
4"	B5101S400BB-D	B5101E400BB-D	B5101V400BB-D



Size	Dimensions (in)						
	A	B	C	D	E	F	G
1"	6.7	2.4	1.1	0.9	1.9	0.9	3.1
1½"	6.7	2.4	1.1	0.9	1.9	1.4	3.1
2"	6.7	2.7	1.1	0.9	2.0	1.9	3.9
2½"	6.7	3.1	1.1	0.9	2.1	2.4	4.6
3"	9	3.3	1.1	1.2	2.5	2.9	5.2
4"	9	4.1	1.1	1.2	3.1	3.9	6.7



**Note:** all dimensions are in inches. Dimensions are approximate. Engineering dimensions are available upon request. Specifications are subject to change without notice.