



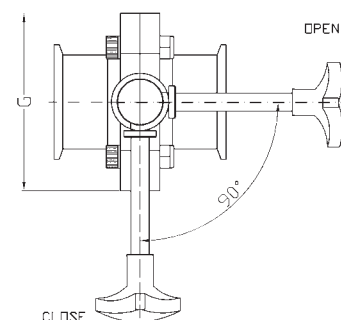
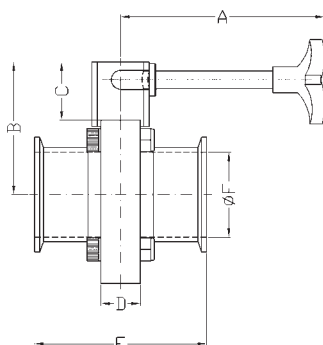
## B5101 Series Butterfly Valves Technical Data, Specifications and Dimensions

### B5101 Series Butterfly Valve with Infinite Handle, Clamp End

Size	Part Number	Part Number	Part Number
	<i>with Silicone seats with clamp</i>	<i>with EPDM seats with clamp</i>	<i>with Viton® seats with clamp</i>
1"	B5101S100CC-B	B5101E100CC-B	B5101V100CC-B
1½"	B5101S150CC-B	B5101E150CC-B	B5101V150CC-B
2"	B5101S200CC-B	B5101E200CC-B	B5101V200CC-B
2½"	B5101S250CC-B	B5101E250CC-B	B5101V250CC-B
3"	B5101S300CC-B	B5101E300CC-B	B5101V300CC-B
4"	B5101S400CC-B	B5101E400CC-B	B5101V400CC-B

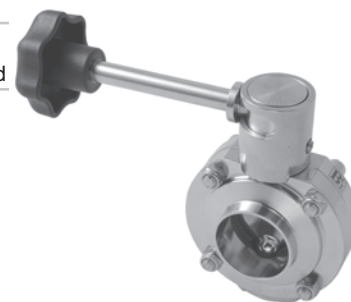


Size	Dimensions (in)						
	A	B	C	D	E	F	G
1"	4.3	2.6	1.3	0.9	3.5	0.9	3.1
1½"	4.3	2.6	1.3	0.9	3.5	1.4	3.1
2"	4.3	2.9	1.3	0.9	3.8	1.9	3.1
2½"	4.3	3.3	1.3	0.9	3.8	2.4	4.6
3"	6.4	3.6	1.3	1.2	4.1	2.9	6.7
4"	6.4	4.4	1.3	1.2	4.8	3.8	6.7

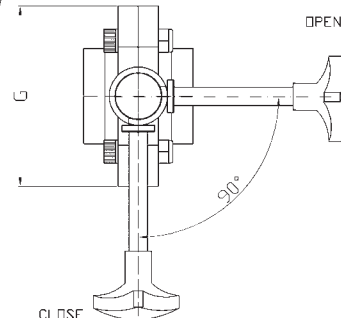
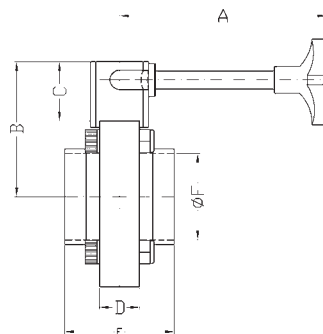


### B5101 Series Butterfly Valve with Infinite Handle, Buttweld End

Size	Part Number	Part Number	Part Number
	<i>with Silicone seats with buttweld</i>	<i>with EPDM seats with buttweld</i>	<i>with Viton® seats with buttweld</i>
1"	B5101S100BB-B	B5101E100BB-B	B5101V100BB-B
1½"	B5101S150BB-B	B5101E150BB-B	B5101V150BB-B
2"	B5101S200BB-B	B5101E200BB-B	B5101V200BB-B
2½"	B5101S250BB-B	B5101E250BB-B	B5101V250BB-B
3"	B5101S300BB-B	B5101E300BB-B	B5101V300BB-B
4"	B5101S400BB-B	B5101E400BB-B	B5101V400BB-B



Size	Dimensions (in)						
	A	B	C	D	E	F	G
1"	4.3	2.6	1.3	0.9	1.9	0.9	3.1
1½"	4.3	2.6	1.3	0.9	1.9	1.4	3.1
2"	4.3	2.9	1.3	0.9	2.0	1.9	3.1
2½"	4.3	3.3	1.3	0.9	2.1	2.4	4.6
3"	6.4	3.6	1.3	1.2	2.5	2.9	6.7
4"	6.4	4.4	1.3	1.2	3.1	3.8	6.7



**Note:** all dimensions are in inches. Dimensions are approximate. Engineering dimensions are available upon request. Specifications are subject to change without notice.