



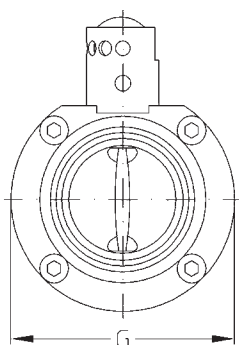
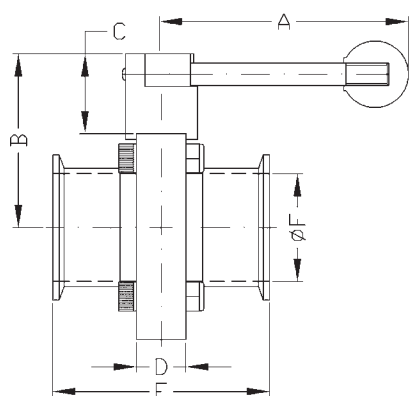
## B5101 Series Butterfly Valves

### Technical Data, Specifications and Dimensions

#### B5101 Series Butterfly Valve with Pull Handle, Clamp End



Size	Part Number <i>with Silicone seats with clamp</i>	Part Number <i>with EPDM seats with clamp</i>	Part Number <i>with Viton® seats with clamp</i>
1"	B5101S100CC-A	B5101E100CC-A	B5101V100CC-A
1½"	B5101S150CC-A	B5101E150CC-A	B5101V150CC-A
2"	B5101S200CC-A	B5101E200CC-A	B5101V200CC-A
2½"	B5101S250CC-A	B5101E250CC-A	B5101V250CC-A
3"	B5101S300CC-A	B5101E300CC-A	B5101V300CC-A
4"	B5101S400CC-A	B5101E400CC-A	B5101V400CC-A
6"	B5101S600CC-A	B5101E600CC-A	---
8"	---	B5101E800CC-A	---



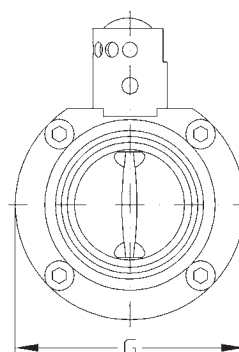
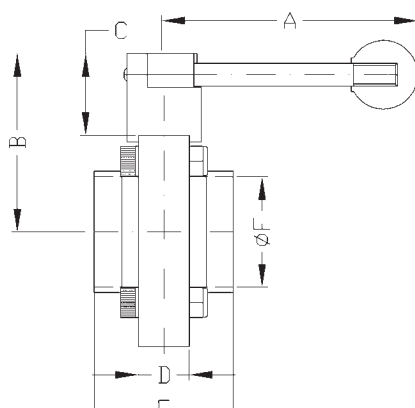
Size	Dimensions (in)						
	A	B	C	D	E	F	G
1"	4.4	2.8	1.4	0.9	3.5	0.9	3.1
1½"	4.4	2.8	1.4	0.9	3.5	1.4	3.1
2"	4.4	3.1	1.4	0.9	3.8	1.9	3.9
2½"	4.4	3.5	1.4	0.9	3.8	2.4	4.6
3"	6.2	3.8	1.3	1.2	4.1	2.9	5.2
4"	6.2	4.5	1.3	1.2	4.8	3.8	6.7
6"	11.5	5.5	1.3	1.2	5.5	5.8	8.5
8"	18.0	6.9	1.6	1.2	4.9	7.8	11.2

#### B5101 Series Butterfly Valve with Pull Handle, Buttweld End

M



Size	Part Number <i>with Silicone seats with buttweld</i>	Part Number <i>with EPDM seats with buttweld</i>	Part Number <i>with Viton® seats with buttweld</i>
1"	B5101S100BB-A	B5101E100BB-A	B5101V100BB-A
1½"	B5101S150BB-A	B5101E150BB-A	B5101V150BB-A
2"	B5101S200BB-A	B5101E200BB-A	B5101V200BB-A
2½"	B5101S250BB-A	B5101E250BB-A	B5101V250BB-A
3"	B5101S300BB-A	B5101E300BB-A	B5101V300BB-A
4"	B5101S400BB-A	B5101E400BB-A	B5101V400BB-A
6"	B5101S600BB-A	B5101E600BB-A	---
8"	---	B5101E800BB-A	---



Size	Dimensions (in)						
	A	B	C	D	E	F	G
1"	4.4	2.8	1.4	0.9	1.9	0.9	3.1
1½"	4.4	2.8	1.4	0.9	1.9	1.4	3.1
2"	4.4	3.1	1.4	0.9	2.0	1.9	3.9
2½"	4.4	3.5	1.4	0.9	2.1	2.4	4.6
3"	6.2	3.8	1.3	1.2	2.5	2.9	5.2
4"	6.2	4.5	1.3	1.2	3.1	3.8	6.7
6"	11.5	5.5	1.3	1.2	5.5	5.8	8.5
8"	18.0	6.9	1.6	1.2	4.9	7.8	11.2

**Note:** all dimensions are in inches. Dimensions are approximate. Engineering dimensions are available upon request. Specifications are subject to change without notice.