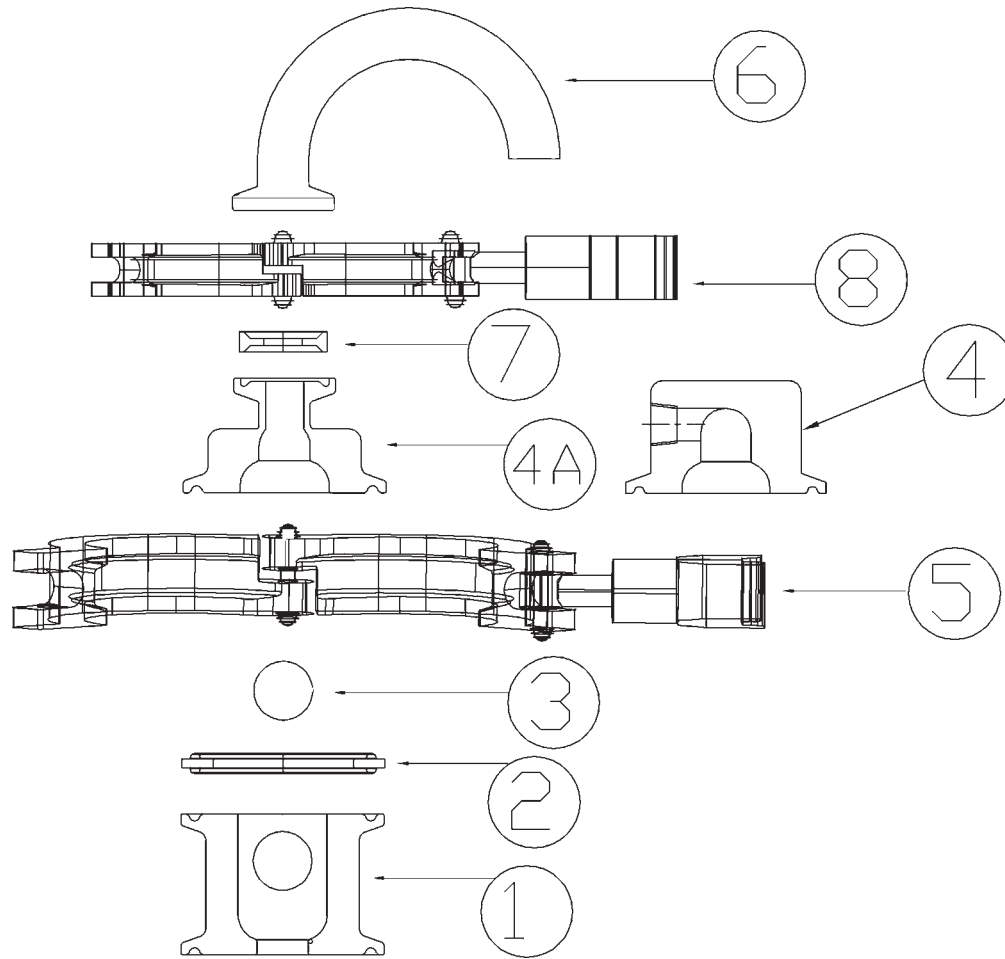




Air Relief Valve

Materials List



Item	Description	Material	Quantity	
			BARV-G150	BARVE-G150
1	body	304	1	1
2	1" gasket	EPDM	1	1
3	ball	polypropylene	1	1
4	cover	304	1	NA
4a	cover	304	NA	1
5	1½" clamp	CF8	1	1
6	180° tube ferrule	304	NA	1
7	½" gasket	EPDM	NA	1
8	½" clamp	CF8	NA	1