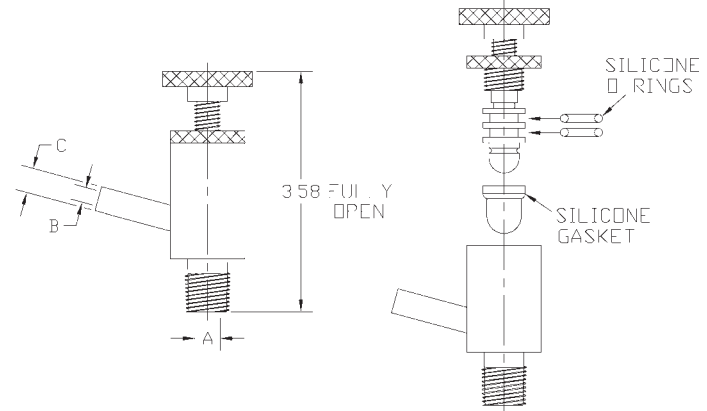
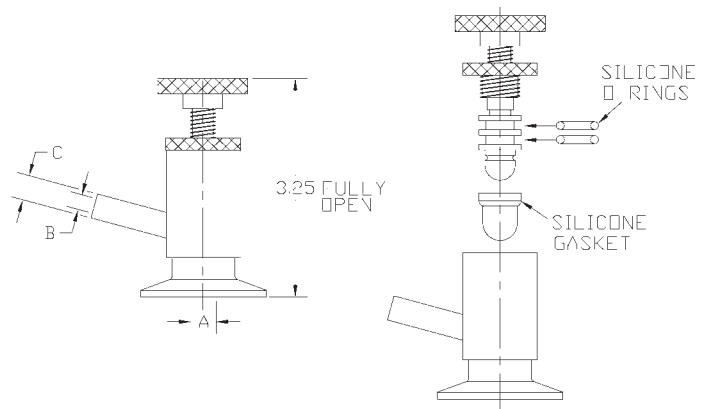


304 Sample Valve



NPT end configuration

- K**
- 304 stainless steel
 - Silicone O-ring and plunger to ensure a leak-proof connection
 - surface finish polished to sanitary standards
 - end connections available: clamp and NPT
 - sizes available: 1" clamp and 3/8" NPT
 - temperature rating: 300° @ 200 PSI



clamp end configuration

Size	Type	Part Number	Height opened	Dimensions (in)			Weight (lbs)
				A	B	C	
3/8"	NPT	BSVWNS-G375	3.58	.360	.235	.378	.72
1"	clamp	BSVWCS-G100	3.25	.360	.235	.378	.88

Repair Kit for 304 Sample Valve

Part Number	Description	Material	Qty.
BSVW-RKS	seal	PTFE	1
	O-ring	Silicone	1