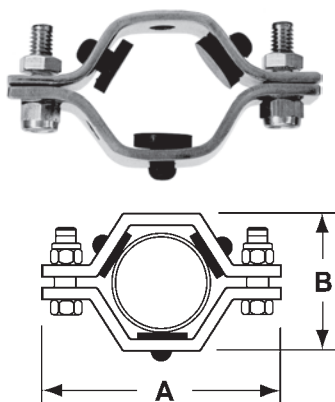




## Tube Hangers

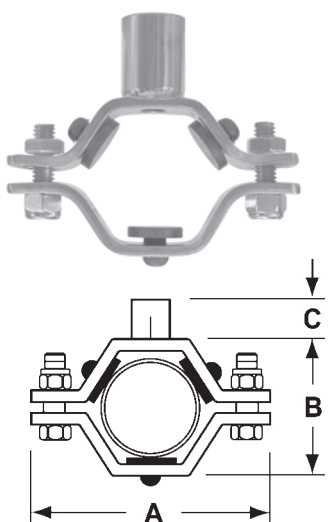
### Hex with Grommets - B24RG



Tube O.D.	Dimensions		Part Number
	A	B	
1/2" - 3/4"	3.425	1.450	B24RG-G75
1"	3.425	1.450	B24RG-G100
1 1/2"	4.000	2.125	B24RG-G150
2"	4.500	2.500	B24RG-G200
2 1/2"	4.750	3.125	B24RG-G250
3"	5.500	3.750	B24RG-G300
4"	6.750	4.750	B24RG-G400
6"	9.250	6.625	B24RG-G600
8"	11.500	8.625	B24RG-G800

- Nitrile grommets maximum temperature: 230°F

### Hex with Grommets and Coupler - B24RGC



Tube O.D.	Dimensions			Part Number
	A	B	C	
1/2" - 3/4"	3.425	1.450	.750	B24RGC-G75
1"	3.425	1.450	.750	B24RGC-G100
1 1/2"	4.000	2.125	.750	B24RGC-G150
2"	4.500	2.500	.750	B24RGC-G200
2 1/2"	4.750	3.125	.750	B24RGC-G250
3"	5.500	3.750	.750	B24RGC-G300
4"	6.750	4.750	.750	B24RGC-G400
6"	9.250	6.625	.750	B24RGC-G600
8"	11.500	8.625	.750	B24RGC-G800

- Nitrile grommets maximum temperature: 230°F
- Coupler thread options:
  - Standard - 3/8 NPT
  - Special - all thread
    - 3/8-16 (part #B24RGC16-G\*\*\*)
    - 1/2 - 13 (part # B24RGC13-G\*\*\*)

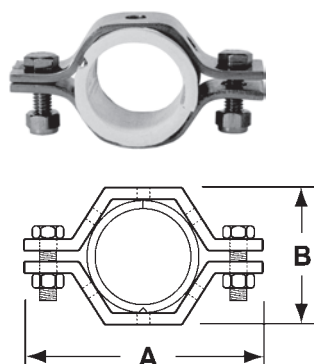
### Nitrile Rubber Grommets - 13RG



Size	Part Number
1/8"	13RG18
3/8"	13RG3/8
5/8"	13RG58

- Nitrile grommets maximum temperature: 230°F

### Hex with Sleeves - B24PS



Tube O.D.	Dimensions		Part Number
	A	B	
1/2"	2.800	1.150	B24PS-G50
3/4"	2.800	1.150	B24PS-G75
1"	3.425	1.450	B24PS-G100
1 1/2"	4.000	2.125	B24PS-G150
2"	4.500	2.500	B24PS-G200
2 1/2"	4.750	3.125	B24PS-G250
3"	5.500	3.750	B24PS-G300
4"	6.750	4.750	B24PS-G400
6"	9.250	6.625	B24PS-G600
8"	11.500	8.625	B24PS-G800

- ABS sleeve maximum temperature: 230°F