

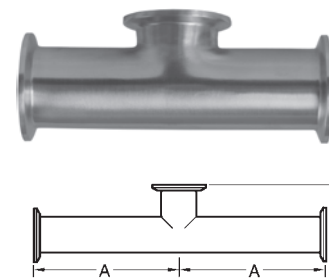


Clamp Tees

Short Outlet Tee - B7MPS

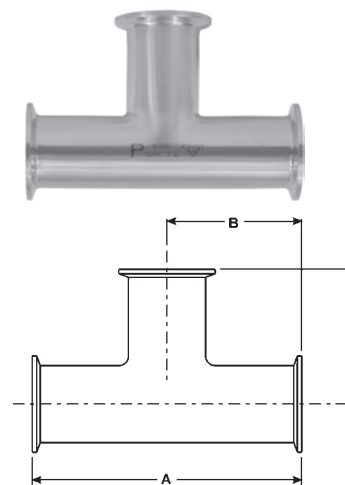
B

Tube O.D.	Dimensions		316L Part Number	
	A	B		
1"	2.375	1.125	B7MPS-R100	
1½"	2.750	1.375	B7MPS-R150	
2"	3.500	1.625	B7MPS-R200	
2½"	3.500	1.875	B7MPS-R250	
3"	3.750	2.125	B7MPS-R300	
4"	4.500	2.750	B7MPS-R400	



Clamp Tees - B7MP

Tube O.D.	Dimensions		304 Part Number	316L Part Number
	A	B		
½"	4.750	2.375	---	B7MP-R50
¾"	5.000	2.500	---	B7MP-R75
1"	4.750	2.375	B7MP-G100	B7MP-R100
1½"	5.500	2.750	B7MP-G150	B7MP-R150
2"	7.000	3.500	B7MP-G200	B7MP-R200
2½"	7.000	3.500	B7MP-G250	B7MP-R250
3"	7.500	3.750	B7MP-G300	B7MP-R300
4"	9.000	4.500	B7MP-G400	B7MP-R400
6"	13.000	6.500	B7MP-G600	B7MP-R600
8"	15.750	7.875	B7MP-G800	---



Clamp Reducing Tees - B7RMP

Tube O.D.	Dimensions			304 Part Number	316L Part Number
	A	B	C		
1" x ½"	5.250	2.625	2.625	---	B7RMP-R10050
1" x ¾"	5.250	2.625	2.625	---	B7RMP-R10075
1½" x ½"	5.750	2.875	2.875	---	B7RMP-R15050
1½" x ¾"	5.250	2.625	2.625	---	B7RMP-R10075
1½" x 1"	4.312	2.156	1.875	B7RMP-G150100	B7RMP-R150100
2" x ½"	6.750	3.375	3.125	---	B7RMP-R20050
2" x ¾"	6.750	3.375	3.125	---	B7RMP-R20075
2" x 1"	5.125	2.562	2.125	B7RMP-G200100	B7RMP-R200100
2" x 1½"	5.125	2.562	2.406	B7RMP-G200150	B7RMP-R200150
2½" x 1½"	5.688	2.844	2.656	B7RMP-G250150	B7RMP-R250150
2½" x 2"	5.688	2.844	2.812	B7RMP-G250200	B7RMP-R250200
3" x 1½"	6.188	3.093	2.906	B7RMP-G300150	B7RMP-R300150
3" x 2"	6.188	3.093	3.063	B7RMP-G300200	B7RMP-R300200
3" x 2½"	6.188	3.093	3.093	B7RMP-G300250	B7RMP-R300250
4" x 1½"	8.125	4.063	3.406	B7RMP-G400150	B7RMP-R400150
4" x 2"	8.125	4.063	3.563	B7RMP-G400200	B7RMP-R400200
4" x 3"	8.125	4.063	3.594	B7RMP-G400300	---

