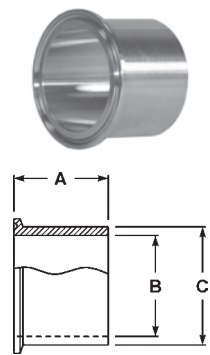


B

Clamp Ferrules

316L Heavy Wall Ferrules - 14MPW

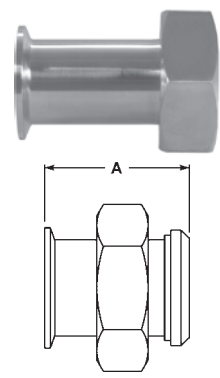


Tube O.D.	Dimensions			Part Number
	A	B	C	
1/2"	1.625	.321	.502	14MPW-R50
3/4"	1.625	.574	.750	14MPW-R75
1"	1.625	.870	1.160	14MPW-R100
1 1/2"	1.625	1.370	1.676	14MPW-R150
2"	1.750	1.870	2.192	14MPW-R200
2 1/2"	1.750	2.370	2.708	14MPW-R250
3"	1.813	2.870	3.224	14MPW-R300
4"	2.125	3.834	4.256	14MPW-R400
6"	2.500	5.758	6.192	14MPW-R600
8"	2.500	7.758	8.192	14MPW-R800

- 1/2" - 4" certified to ASME SA479
- 6" - 8" certified to ASME SA312

Clamp Adapters

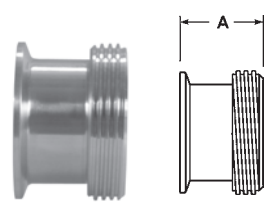
Clamp x Plain Bevel Seat Adapters with Hex Nut - 17MP-14



Tube O.D.	Dimension A	304 Part Number
1"	3.000	17MP-14-G100
1 1/2"	3.000	17MP-14-G150
2"	3.000	17MP-14-G200
2 1/2"	3.500	17MP-14-G250
3"	3.750	17MP-14-G300
4"	4.000	17MP-14-G400

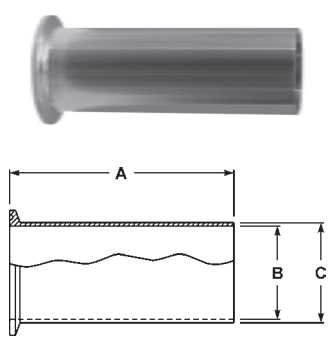
- Hex nut is CF8 (304) stainless

Clamp x Threaded Bevel Seat Adapters - 17MP-15



Size	Dimension A	304 Part Number	316L Part Number
1"	1.688	17MP-15-G100	17MP-15-R100
1 1/2"	1.719	17MP-15-G150	17MP-15-R150
2"	1.719	17MP-15-G200	17MP-15-R200
2 1/2"	1.844	17MP-15-G250	17MP-15-R250
3"	1.906	17MP-15-G300	17MP-15-R300
4"	2.344	17MP-15-G400	17MP-15-R400

316L Tygon® Hose Adapters - 14MPHT



Tube O.D.	Dimensions			Part Number
	A	B	C	
1/2"	4.000	.370	.500	14MPHT-R50
3/4"	4.000	.620	.750	14MPHT-R75
1"	4.500	.870	1.000	14MPHT-R100
1 1/2"	4.500	1.370	1.500	14MPHT-R150
2"	4.500	1.870	2.000	14MPHT-R200
2 1/2"	4.500	2.370	2.500	14MPHT-R250
3"	4.500	2.870	3.000	14MPHT-R300
4"	4.625	3.834	4.000	14MPHT-R400
6"	6.000	5.782	6.000	14MPHT-R600