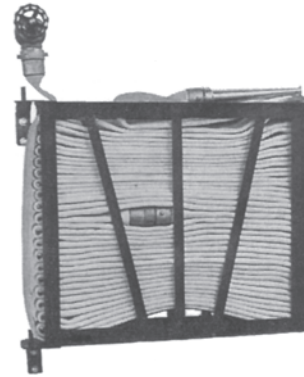


Hump Racks

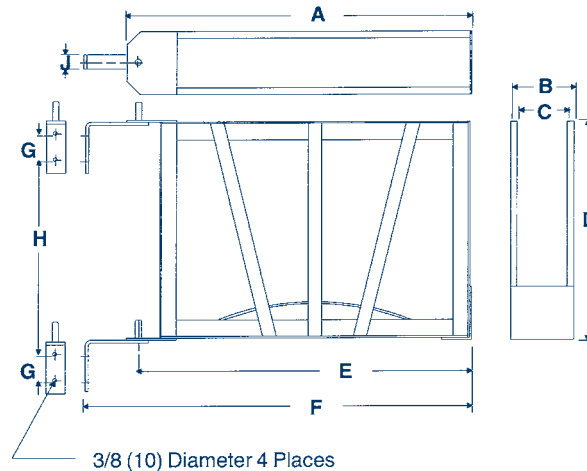
The specially designed hump in the center lessens weight at the folds to prolong hose life.

- Compact, neat and economical method of storing collapsible hose
- Pivot mounting permits rack to swing to the proper angle, preventing kinks and twists
- Rugged steel construction provides long, dependable service
- Red polyester powder coat finish
- Open sides allow faster hose drying to prevent mold and mildew
- Wall mounting brackets are standard



Hose Size	Dixon Part #	Wt. Lbs.
1½" - 1¾"	FHHR-1	14
2" - 2½"	FHHR-2	16
1½" - 1¾"	FHHR-5	28

Optional pipe clamp mounting brackets are available.
Consult the Factory for pricing.



Dixon Part #	Hose Size	Hose Capacity (feet)			Dimensions (inches)								
		Rack	Single Jacket	Double Jacket	A	B	C	D	E	F	G	H	J
FHHR-1	1½" 1¾"	100	50	--	25-3/4"	4-3/8"	3-1/4"	16-15/16"	25"	29"	2"	14-5/16"	1-1/2"
FHHR-2	2" 2½"	100	50	--	25-3/4"	5-3/4"	4-3/4"	14-5/16"	25"	29"	2"	14-5/16"	1-1/2"
FHHR-5	1½" 1¾"	200	150	100	35-3/4"	4-3/8"	3-1/4"	33-1/8"	34-5/8"	38-5/8"	2"	31-1/8"	1-1/2"

Hump Rack Covers

- Fluorescent red vinyl coated nylon with Velcro™ closures. Printed on both sides

Cover for	Dimensions	Dixon Part #	Wt. Lbs.
FHHR-1 FHHR-2	25½" x 6" x 16"	FHHR-C	1.0
FHHR-5	35½" x 6" x 33½"	FHHR-C5	1.3

