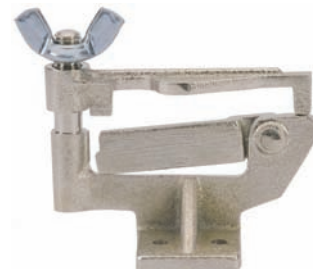


## Semi-Automatic Aluminum Hose Clamps

- For use with swinging wall reels and in semiautomatic hose cabinets with single jacket hose

Hose Size NH (NST)	Single Jacket Hose Type	Dixon Part #	Powhatan Part #
1½"	Rubber lined	<b>SAHCR150</b>	30-440-00001
1½"	Plastic lined	<b>SAHCP150</b>	



## Universal Flat Spring Clip with Vinyl Sheath

- Chrome with a protective vinyl coating for use with nozzles and polished surfaces
- 2" opening spreads to 2-3/8"

Size	Dixon Part #	Powhatan Part #
1½"	<b>UNSCV150</b>	47-142-00001

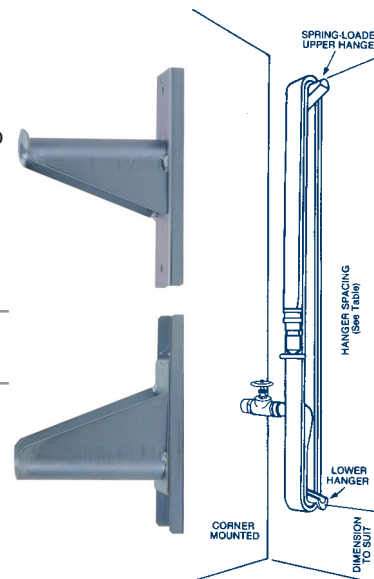


## Hose Hanger

- The hose hanger unit is comprised of bottom and top shoulders that are constructed of a non-ferrous alloy
- The top shoulder is spring loaded, so that one pull, or water pressure alone, is sufficient to release the hose
- The units have a capacity for 100' of 1½" or 2½" hose
- Stores close to walls or columns to minimize damage with fewer bends in the hose to prolong its life
- Maximum capacity - 220 lbs.

Dixon Part #	Powhatan Part #
<b>IBHH</b>	30-455-00001

Total Loops of Hose	Hose Length (feet)		
	50'	75'	100'
2	12	---	---
3	8	12	---
4	6	9	12



## Adjustable Pressure Restricting Device

- Intended for installation on Class I or Class III standpipe system hose outlets
- Use of this device restricts pressure in the piping system to such a degree that hose lines can be handled by persons untrained in the handling of heavy fire streams
- Listed by the New York City Board of Standards and Appeals
- 2½" U/L listed
- Cast brass
- Note: Restricts under flow conditions only

Female	Male	WP PSI	Dixon Part #	Powhatan Part #
1½" NH	1½" NH	175	<b>APRD150F</b>	18-255-00102
2½" NH	2½" NH	175	<b>APRD250F</b>	18-255-00011
2½" NYC	2½" NYC		<b>APRD250NYC</b>	18-255-00015
1½" NYFD	1½" NYFD		<b>APRD150NYFD</b>	18-255-00105
2½" NYFD	2½" NYFD		<b>APRD250NYFD</b>	18-255-00019



Other threads and finishes, including chrome plated, are also available. Consult factory for pricing and availability.