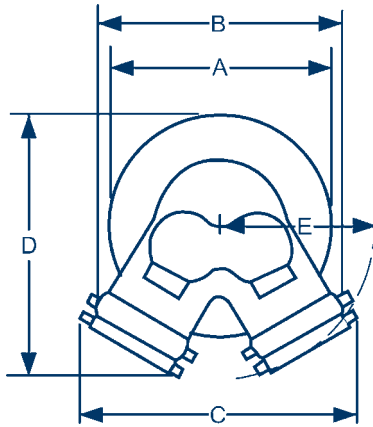


Two Way Sidewalk Siamese Assembly 21-207



21-207

Size	Dimensions (inches)				
	A	B	C	D	E
4 x 2½ x 2½	9-1/4	10-3/8	10-3/4	10-3/8	6-5/8
6 x 2½ x 2½	11-1/4	10-1/2	11-3/4	13	7-1/4

Complete unit consists of:

- (1) 21-133 90° Siamese body, double clapper
- (2) 17-127 pin lug plugs with chains
- (1) 23-404 sleeve
- (1) 24-405 escutcheon plate

- Listed by Underwriters Laboratories
- Factory Mutual approved

Outlet Female NPT	(2) Inlets Female NH (NST)	Dixon Part #	Powhatan Part #
4"	2½"	2WSA4025F	21-207-00001
		2WSA4025F-P	21-207-00003
		2WSA4025F-C	21-207-00005
		2WSA4025F-SP	21-207-00002
		2WSA4025F-SP-P	21-207-00004
		2WSA4025F-SP-C	21-207-00006
6"	2½"	2WSA6025F	21-207-00007
		2WSA6025F-P	21-207-00009
		2WSA6025F-C	21-207-00011
		2WSA6025F-SP	21-207-00008
		2WSA6025F-SP-P	21-207-00010
		2WSA6025F-SP-C	21-207-00012