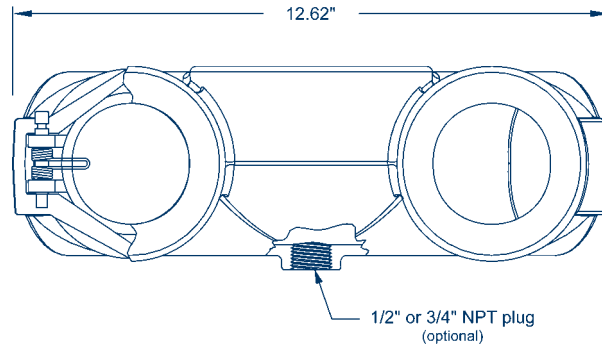


Reversible Concealed Angle Siamese Body 23-393



The unique design of clappers is fully reversible with a perpendicular trunion allowing one body to be installed for top and bottom connections.

- Cast brass
- U/L listed
- Approved by New York City Board of Standards and Appeals
- For use up to **250 PSI**

Outlet Female NPT	(2) Inlets Female NPT	<i>Dixon</i> Part #	<i>Powhatan</i> Part #
4"	3"	4030REV90	23-393-00001
4"	2½"	4025REV90	23-393-00002