



The Right Connection™

Engineering Service



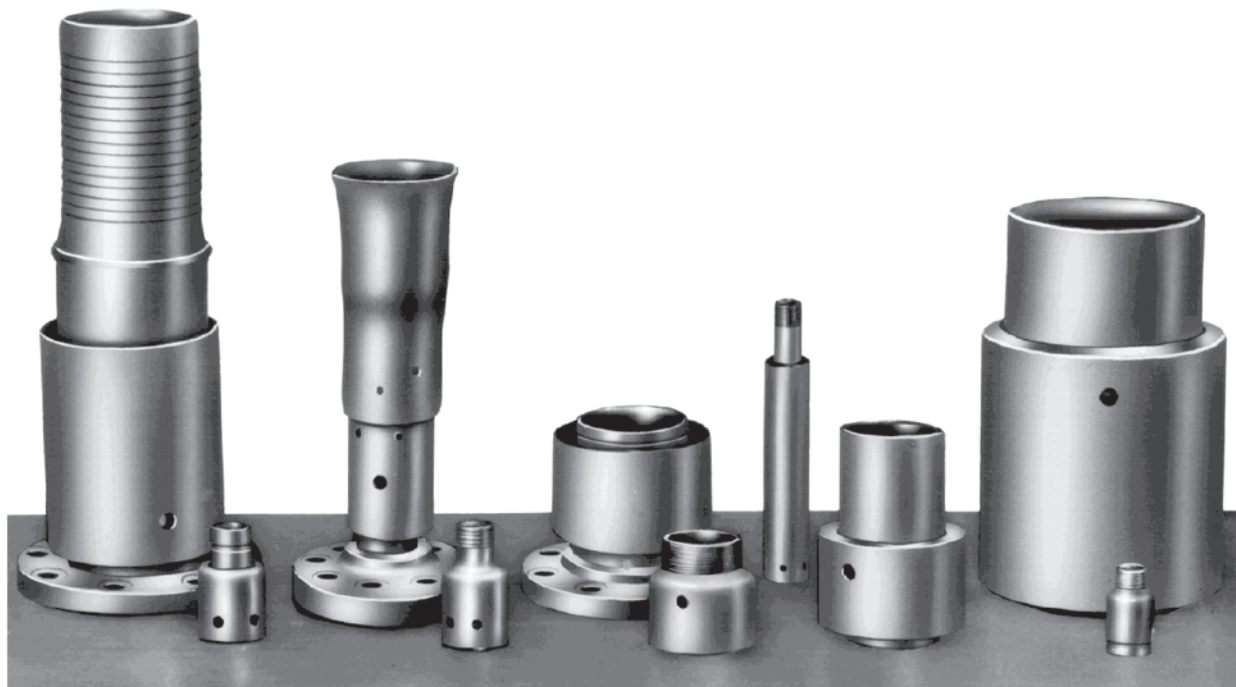
The Right Connection™

Our Engineering Department develops workable solutions to tough problems... high external heat, flame resistance, pressure surges, hose flexing, unusual coupling end configurations requiring special clamp designs... these are only a few of the many challenges Dixon has successfully met.

Some of the services our engineers perform include:

- Working with engineering and operating management to improve existing installations.
- Making a complete study of layout, clearances and other requirements to ensure correctly engineered specifications for fittings.
- Preparing hose drawings and specifications for assurance that the hose and its connections will accurately fit and function in their appropriate applications.

Illustrated below are several types of special design couplings. Each was engineered to function with maximum reliability in meeting a specific service requirement but are also adaptable to other applications.



Custom Couplings

Dixon engineers will design, and the factory produce, special couplings to meet unusual connection or other installation requirements. A typical example is the coupling shown to the right, designed to provide reliable durability and safety in connections on long lengths of oxygen hose tied into established piping in a steel mill. Other "specials" might include lifting rings or hooks, bend shields, and heat shields.

