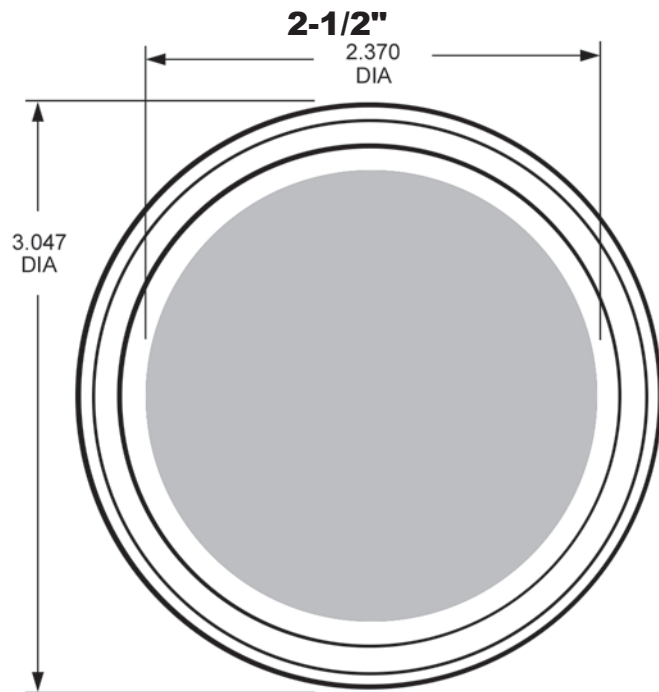
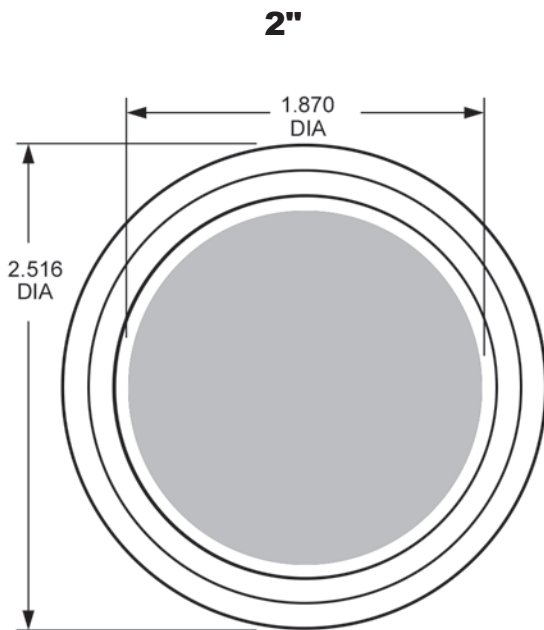
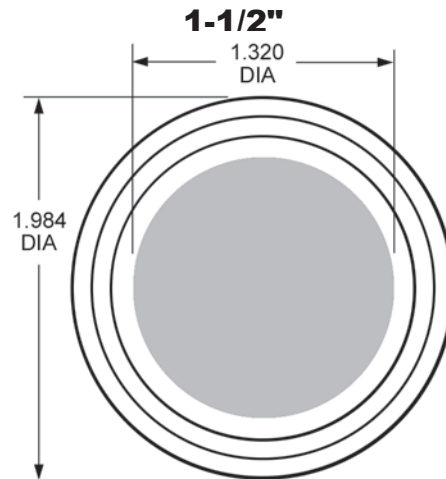
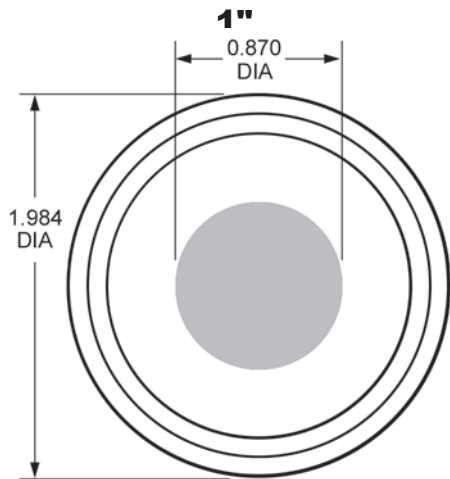
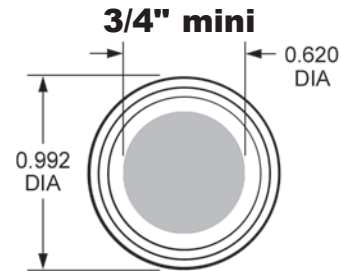
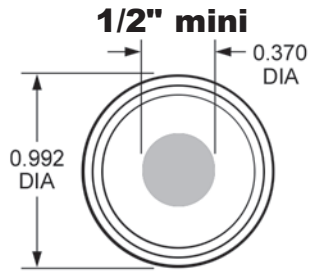




Sanitary Sizing Guide

- These actual size diagrams are provided to eliminate sizing errors when specifying sanitary fittings.
- The outside diameters are the same for 1/2" and 3/4" (0.992 O.D.) and 1" and 1 1/2" (1.984 O.D.)
- Sizes 2" and above have specific outside diameter dimensions
- Diagrams are not available for 3" and above, a table is supplied for your convenience.



Sanitary Size	OD of clamp end	ID of fitting	Sanitary Size	OD of clamp end	ID of fitting
1/2"	0.992	0.370	3"	3.579	2.870
3/4"	0.992	0.620	4"	4.682	3.834
1"	1.984	0.870	6"	6.562	5.782
1 1/2"	1.984	1.320	8"	8.602	7.760
2"	2.516	1.870	10"	10.570	9.782
2 1/2"	3.047	2.370	12"	12.570	11.760