

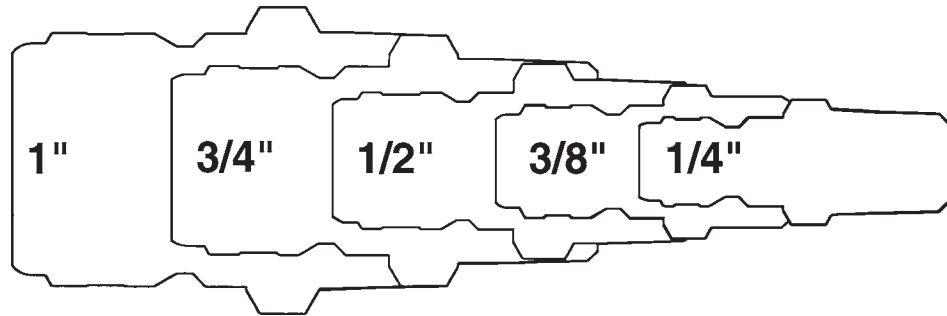


Hydraulic Plug Profile Chart

Industry/Competitor Interchange

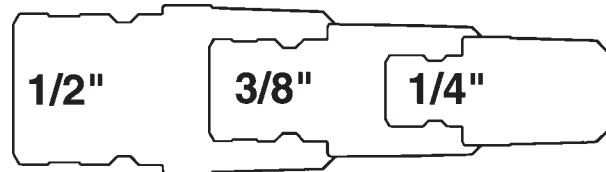
Dixon Straight Thru Fittings, pgs. 294-295

Perfecting E Series
Parker ST
Hansen ST



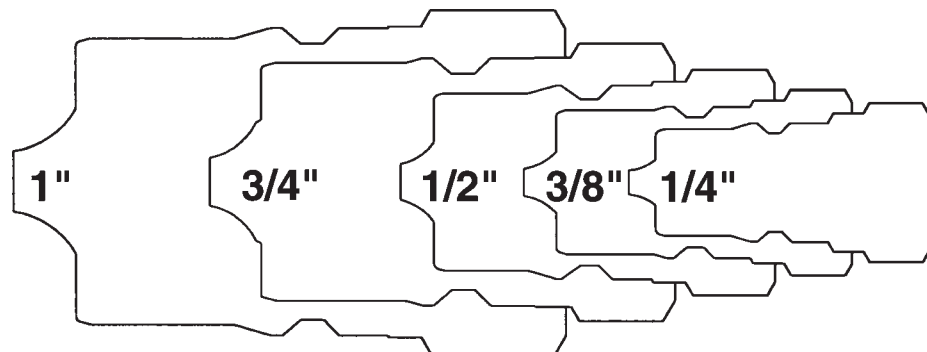
Flow Mate Couplings, pg. 296

Perfecting CM Series
Parker Moldmate
Hansen Flo-Temp



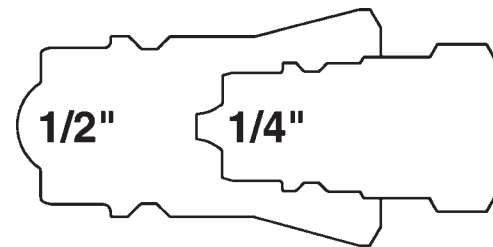
Dixon Industrial Fittings, pg. 299

ISO 7241-B
Perfecting H Series
Hansen HK
Aeroquip FD45
Parker 60



Dixon Agricultural Fittings, pg. 301

Perfecting R Series
Aeroquip FD76
Parker/Pioneer 4000
Safeway S20



Dixon 5600 Series, pg. 304

ISO 7241-A
Perfecting K Series
Aeroquip 5600
Parker 6600

