



Tank Truck Fittings

Vapor Elbow

- For use in two point vapor recovery system
- One-piece bronze locking arms housed in polymer bushings
- Advanced design side lever locking system
- Viton® main seal with Buna poppet seal and stainless steel hardware
- Bolt on 3" male outlet included (can rotate for extended life)
- Lubrication fitting on locking stem

Note: See drop elbow below for single point vapor recovery co-axial elbow 6400.

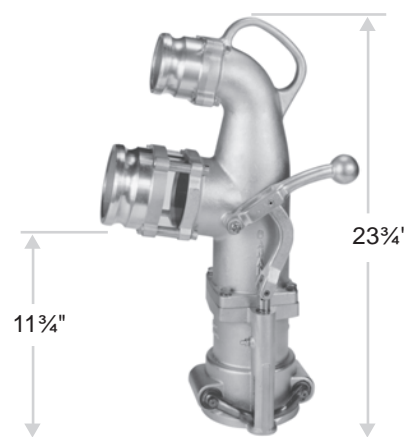
Description	Part #	Price/E
3" without inlet probe and poppet	VR6200NP	\$620.00
3" with outlet probe and poppet	VR6200	706.00



Co-axial Elbow

- For single point vapor recovery only
- 3" male vapor outlet (top)
- Comes assembled with 4" male inlet
- Note:** Inlets made special for co-axials only.
- Quality cast aluminum construction with solid bronze arms
- Bolt-on inlets/outlets for easy, fast replacement
- Acrylic sight glass with Buna seals

Description	Part #	Price/E
4" male inlet	6400	\$1154.00



Side Seal Drop Elbow

- For use with special 4" side seal style fill collars only
- Modular, easy to repair, bolt together aluminum construction
- Comes with acrylic sight glass with Buna seals (2), bronze locking levers and Buna main seal
- 4" male and lock ring installed

Description	Part #	Price/E
4" male inlet	6000ASAL	\$702.00



Side Seal Adapter

- Allows conventional elbows to be used with special side seal style fill collars
- Bottom connects to side seal fill collar
- Top section with standard 4" top seal collar profile to accept clamping of standard 4" drop elbows

Description	Part #	Price/E
4" male inlet	6000-SSA	\$319.00



0

Tank Truck
Fittings