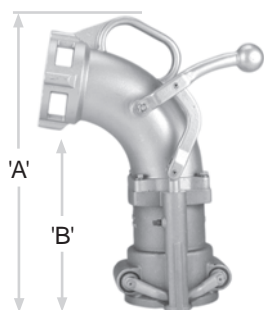




Tank Truck Fittings

Tight Fill Couplers and Drop Elbows



6200 Series



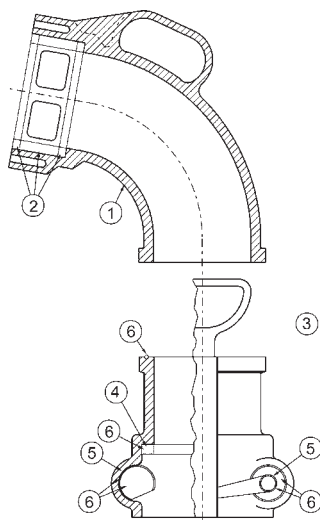
6000 Series

All elbows feature:

- Acrylic sight glass and buna sight glass seals
- Bolt on inlets
- Modular cast aluminum construction

Part #	Description	'A' Overall Height	'B' Ground Clearance	Price Each
6000	'D' handle model, no inlet	17-3/4"	10-7/8"	\$671.15
6000A	'D' handle model with 4" male adapter inlet	17-3/4"	10-7/8"	722.00
6000T	'D' handle model with anti-spill tube, no inlet	17-3/4"	10-7/8"	746.75
6000D	'D' handle model with 4" female coupler inlet	17-3/4"	10-7/8"	841.15
6000DT	'D' handle model with anti-spill tube and 4" female coupler inlet	17-3/4"	10-7/8"	916.75
6200	'Side Lever' handle model, no inlet	17-3/4"	10-7/8"	790.00
6200A	'Side Lever' handle model with 4" male adapter inlet	17-3/4"	10-7/8"	888.00
6200T	'Side Lever' handle model with anti-spill tube, no inlet	17-3/4"	10-7/8"	860.00
6200D	'Side Lever' handle model with 4" female coupler inlet	17-3/4"	10-7/8"	960.00
6200DT	'Side Lever' handle model with anti-spill tube and 4" female coupler inlet	17-3/4"	10-7/8"	1030.00
6200X	'Side Lever' handle model, no inlet	21"	13-3/4"	882.00
6200XA	'Side Lever' handle model with 4" male adapter inlet	21"	13-3/4"	995.00
6200XT	'Side Lever' handle model with anti-spill tube, no inlet	21"	13-3/4"	957.00
6200XD	'Side Lever' handle model with 4" female coupler inlet	21"	13-3/4"	1057.00
6200XDT	'Side Lever' handle model with anti-spill tube and 4" female coupler inlet	21"	13-3/4"	1132.00

Parts for 4" Drop Elbow



Item	Description	Part #	Price/E
1	elbow (<i>only</i>)	6200-1	\$156.20
2	sight glass repair kit	6200SGK	43.70
3	bottom end assembly	6030	455.00
4	Buna-N gasket	6000-9	7.00
5	bushing repair kit	6200BK	37.25
6	arm and seal repair kit	6200ARK	123.35

4" Drop Elbow Inlet Ends



female coupler



male adapter

Size	Description	Part #	Price/E
3"	male adapter	6000-16	\$84.40
4"	male adapter	6000-17	84.40
3"	female coupler	6000-15	154.90
4"	female coupler	6000-14	154.90