

Tight Fill Couplers and Drop Elbows

3" Complete Units

Coupler Type	End Configuration	Part #	Price/E
3" tight fill	3" male adapter	300300MAE	\$541.75
3" tight fill	4" male adapter	3004030MAE	574.85
3" tight fill	3" female coupler	300300FCE	608.05

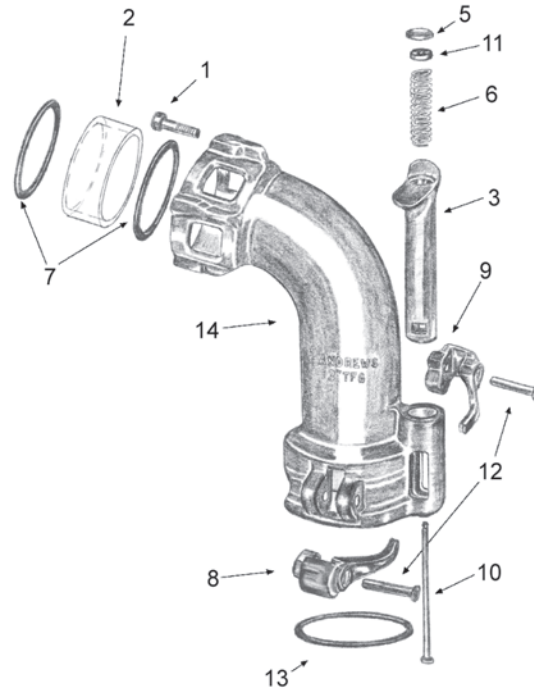
3" Tight Fill Coupler

Size	Part #	Price / Each
3"	300-TFG	\$483.65



Parts for 3" Tight Fill Couplers

Item	Description	Part #	Price/E
1	Screw-inlet end	P3-TFG-1	\$1.20
2	Plexiglass-shell only	P3-TFG-2	27.55
3	Plunger	P3-TFG-3	57.90
4	Full grip plunger	P3-TFG-4	147.25
5	Plunger cap	P3-TFG-5	4.30
6	Spring	P3-TFG-6	6.45
7	Plexiglass gasket	P3-TFG-7	3.00
8	Right cam arm	P3-TFG-8	38.20
9	Left cam arm	P3-TFG-9	38.20
10	Rod	P3-TFG-10	6.45
11	Disc	P3-TFG-11	8.35
12	Pin	300-P	1.55
13	Coupler gasket	300-G-BU	1.15
14	Body	P3-TFG-13	---



3" Tight Fill Coupler Inlet Ends

Size	Description	Part #	Price/E
3"	3" male adapter	300-MAE	\$58.10
4"	4" male adapter	4030-MAE	91.20
3"	3" female coupler	300-FCE	166.40



male adapter



female coupler

0 Tank Truck Fittings